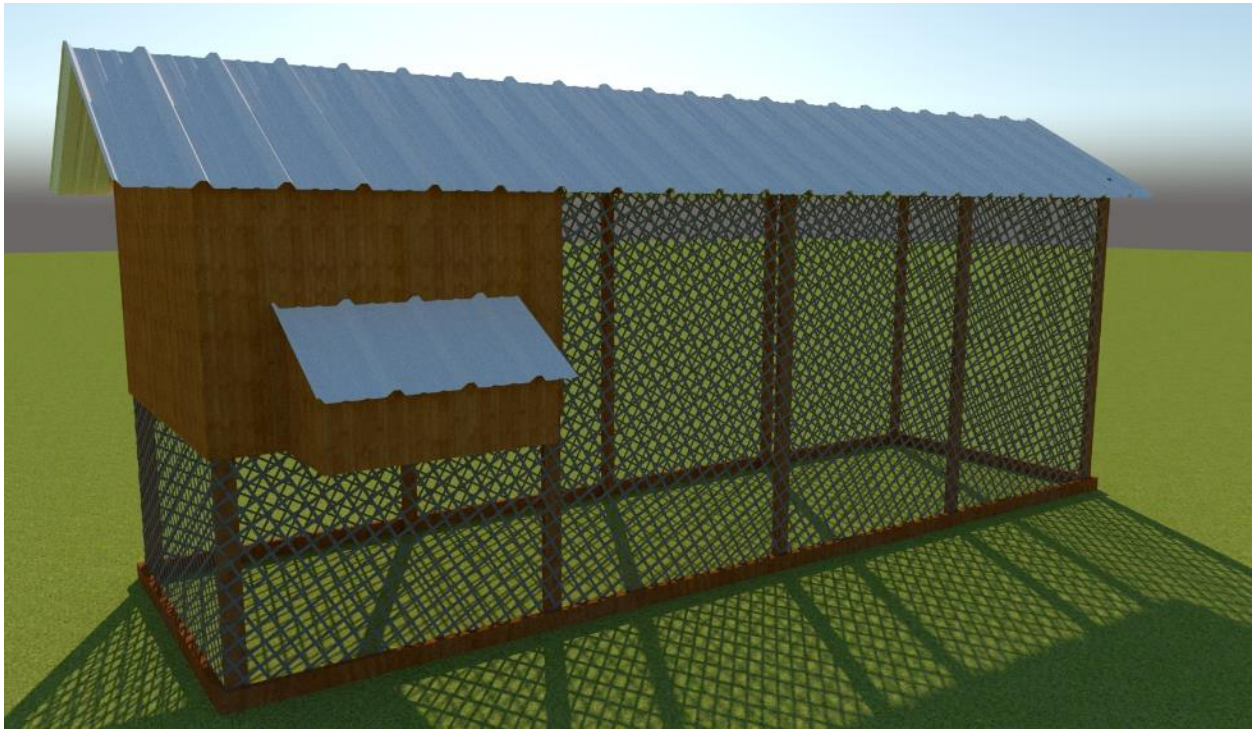
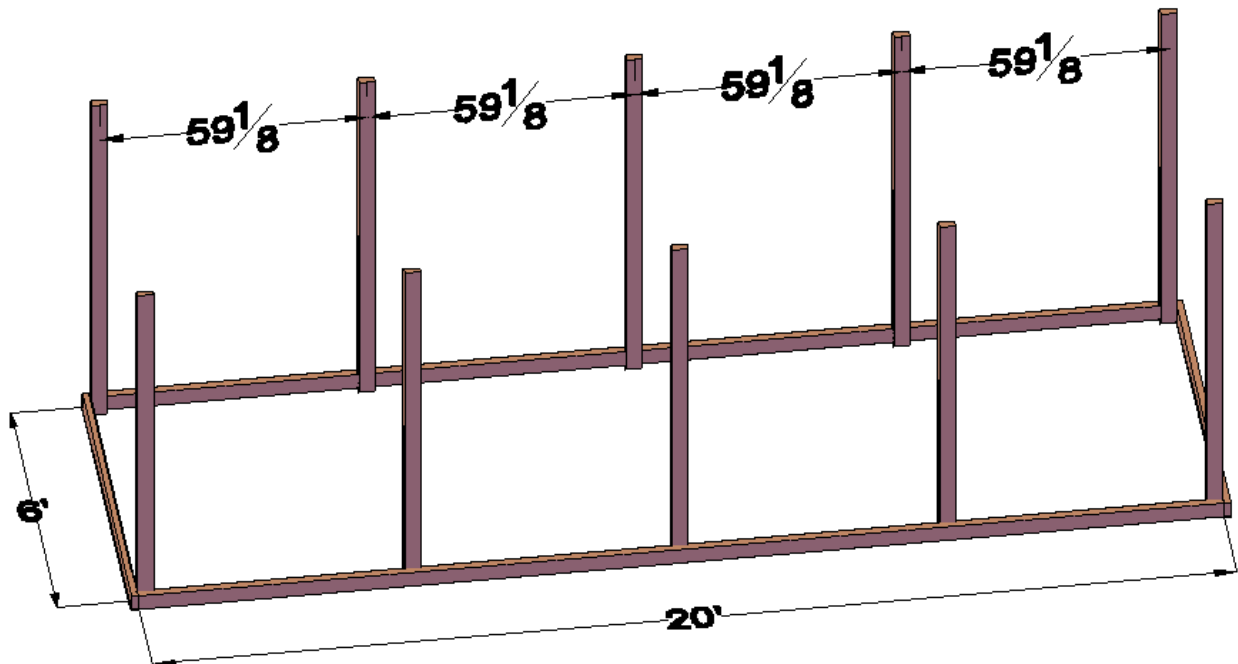


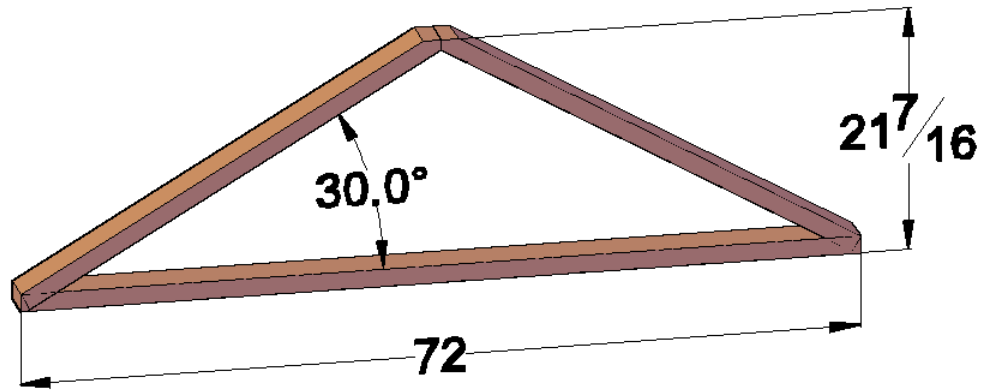
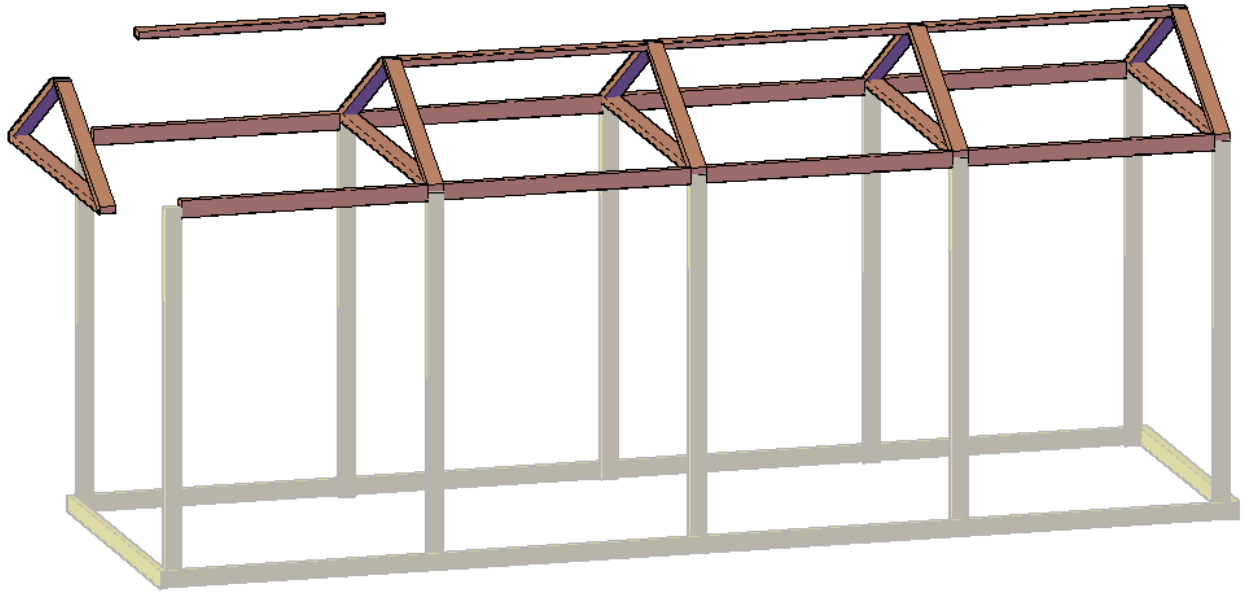
# CHICKEN COOP



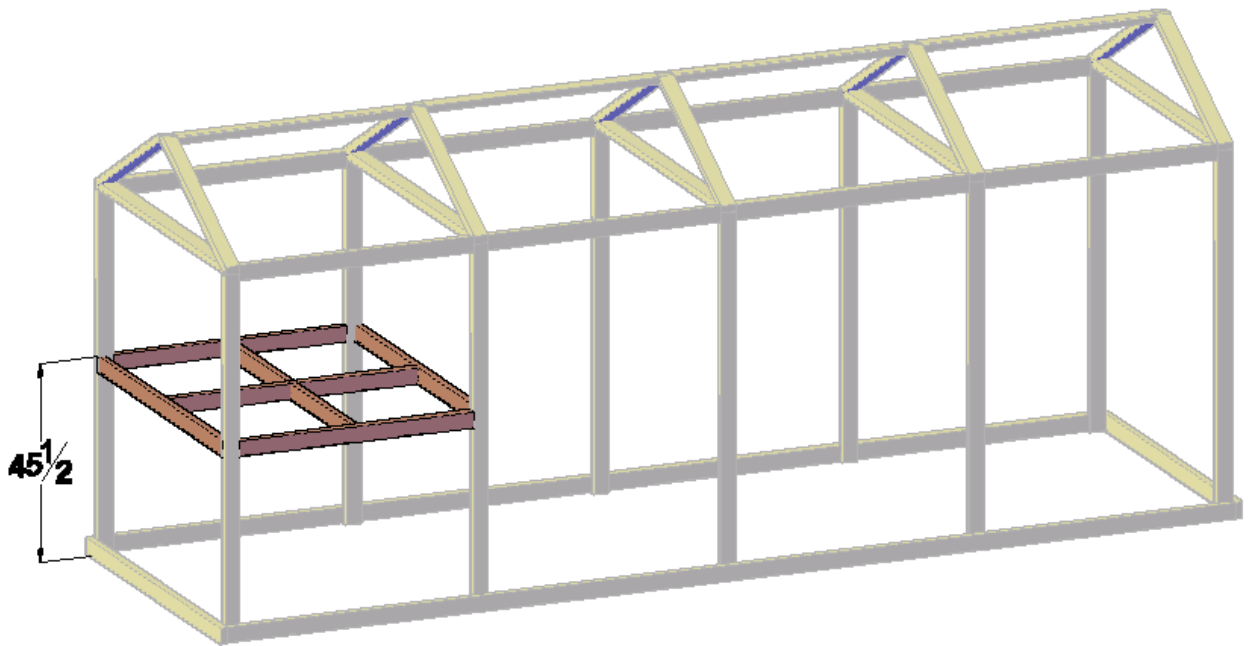
**Step 1:** To build the Frame use 2x4s as shown below, using 3" wood screws or nails. Then, use 2x4s for the walls.



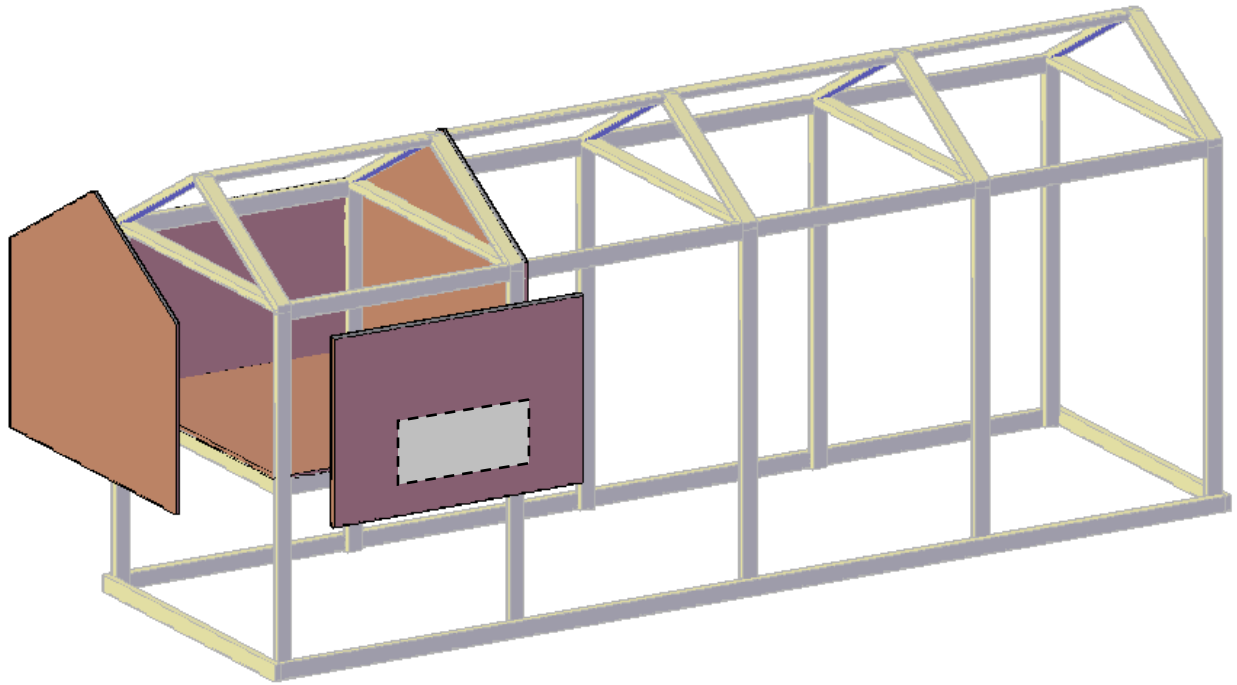
**Step 2:** For roof and wall rame use 2x4s as shown below and attach with 3" wood screws or nails.



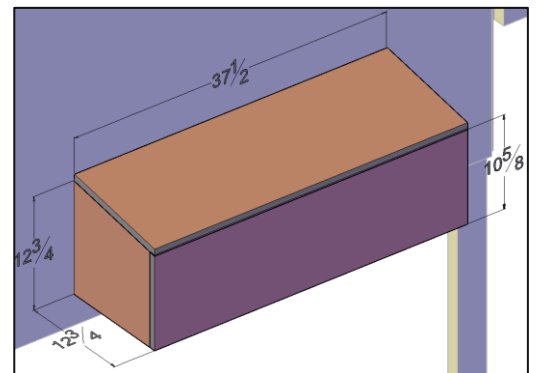
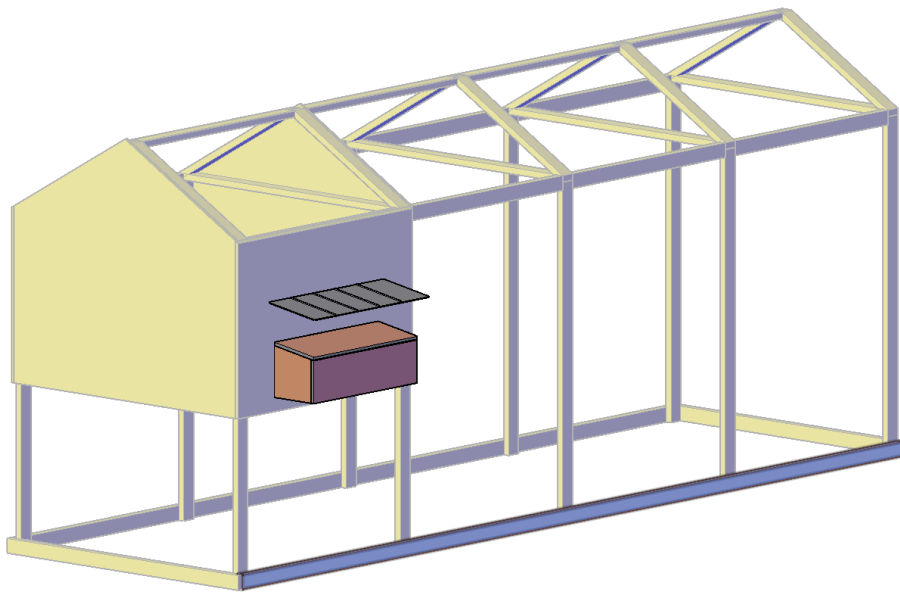
**Step 3:** Attach the floor frame with 3" deck screws.



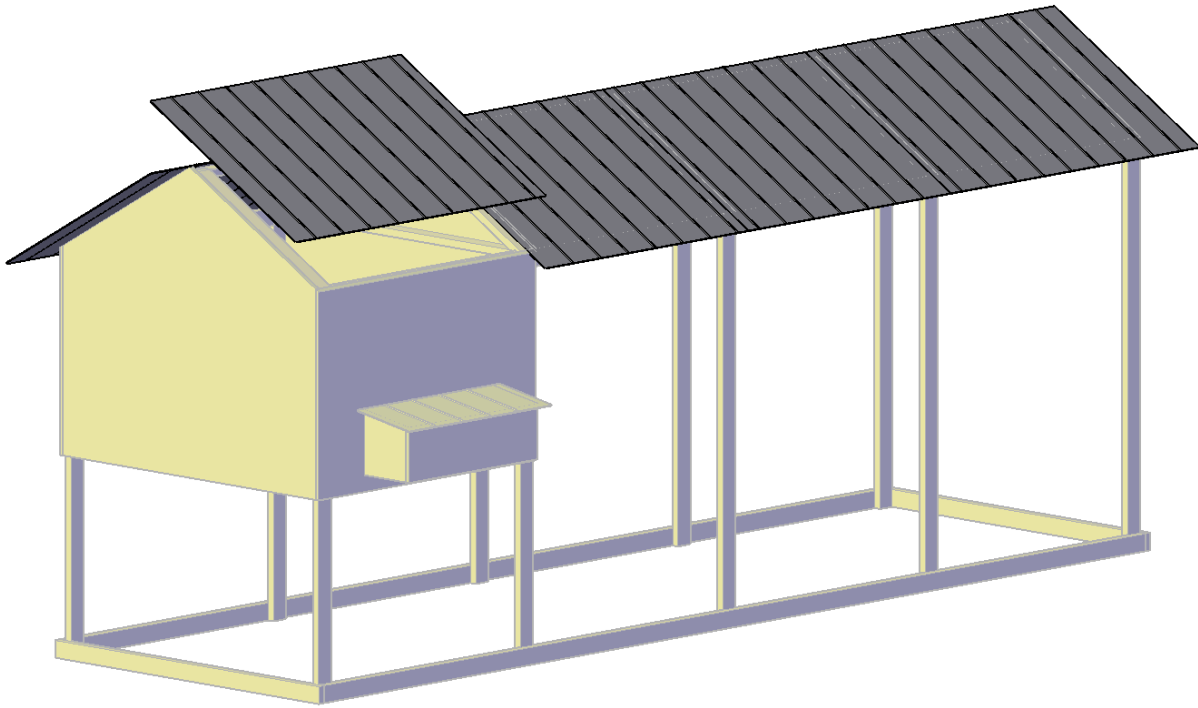
**Step 4:** Use triplay for the walls. Make a cut out in one wall for the chicken nest 36''x12''



**Step 5:** Use triplay for the chicken Nest. Then cover with metal roof.



**Step 6:** Cover with metal roof.



**Step 6:** Finally use chicken wire.

