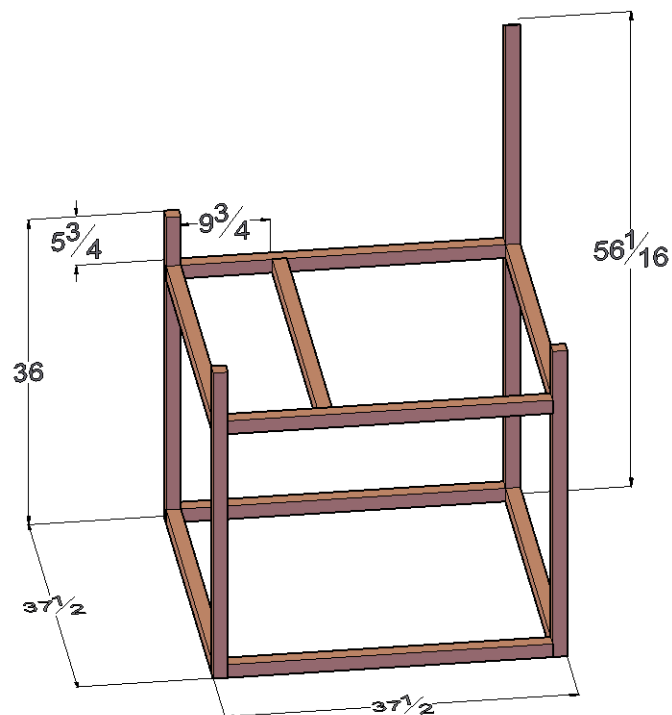


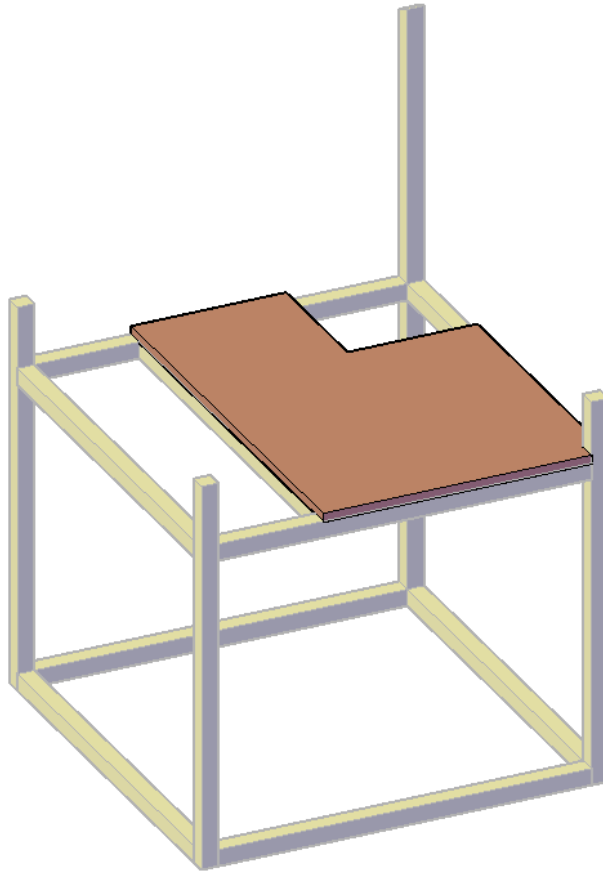
CHICKEN COOP



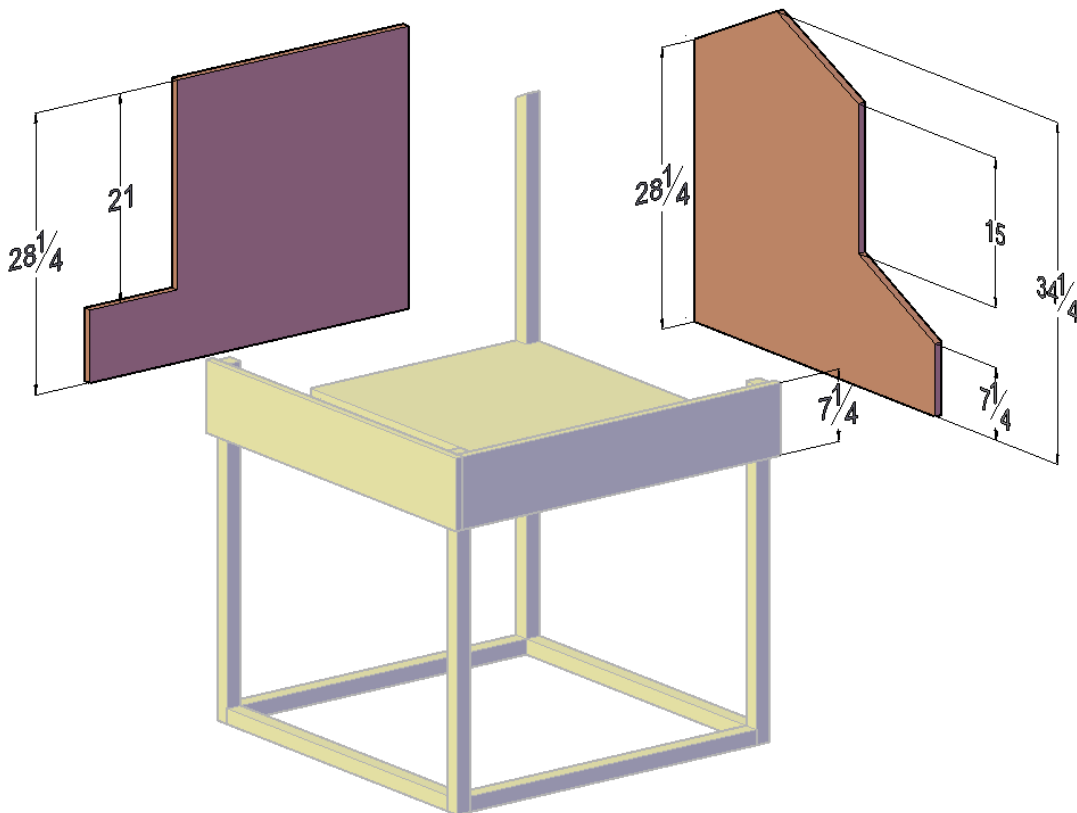
Step 1: To build the Frame use 2x2s as shown below, using the 3" wood screws or nails.



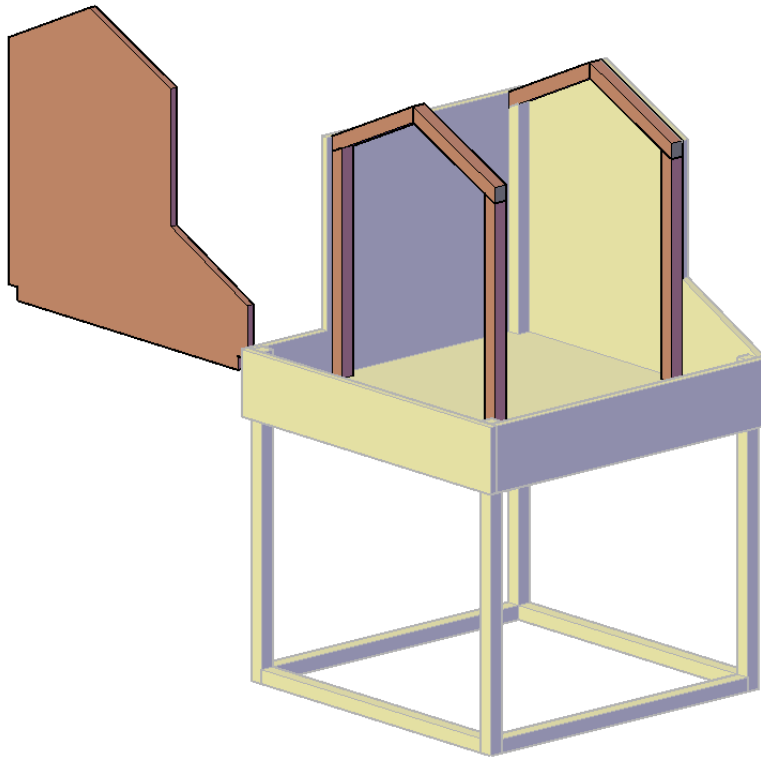
Step 2: Place the floor and make a cut 12'' x12'' in the corner



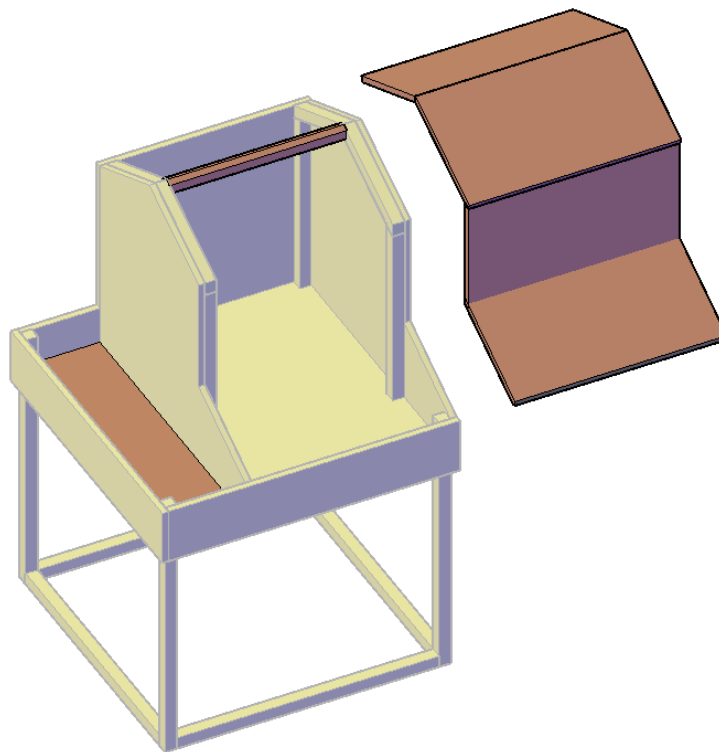
Step 3: Build the walls with the following measurements.



Step 4: Continue framing with 2x2s and attach a similar triplay to the other wall



Step 5: Use a 2x2 as ridge cap and then cover the rest of the chicken coop.



Step 6: Finally, use metal roof.

