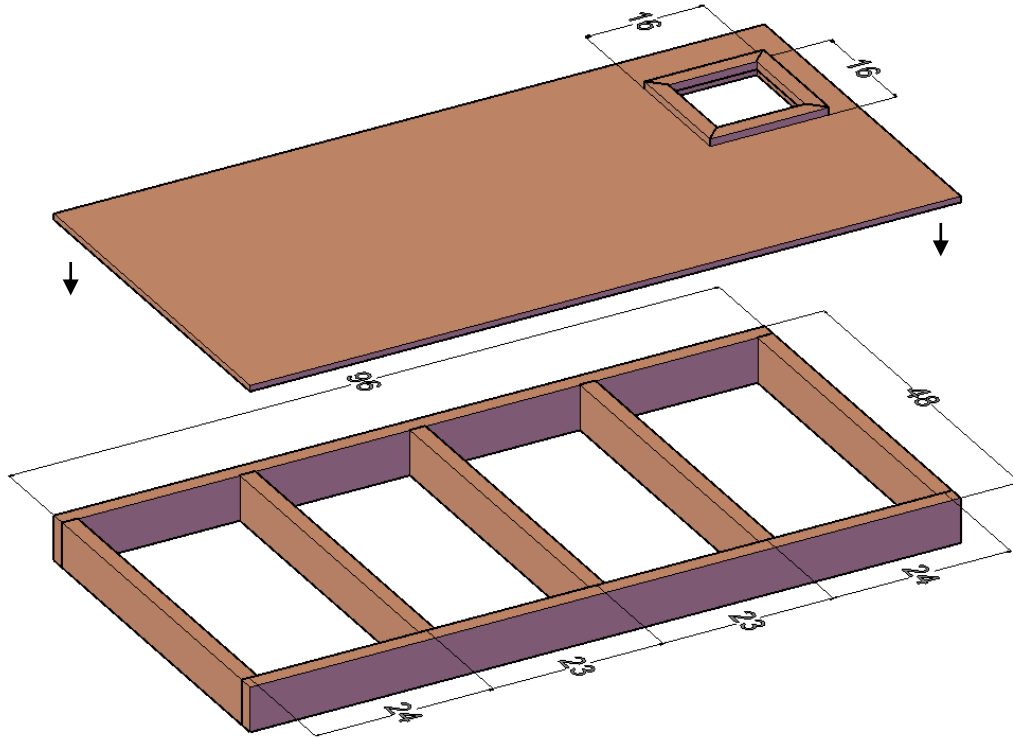


# CHICKEN COOP

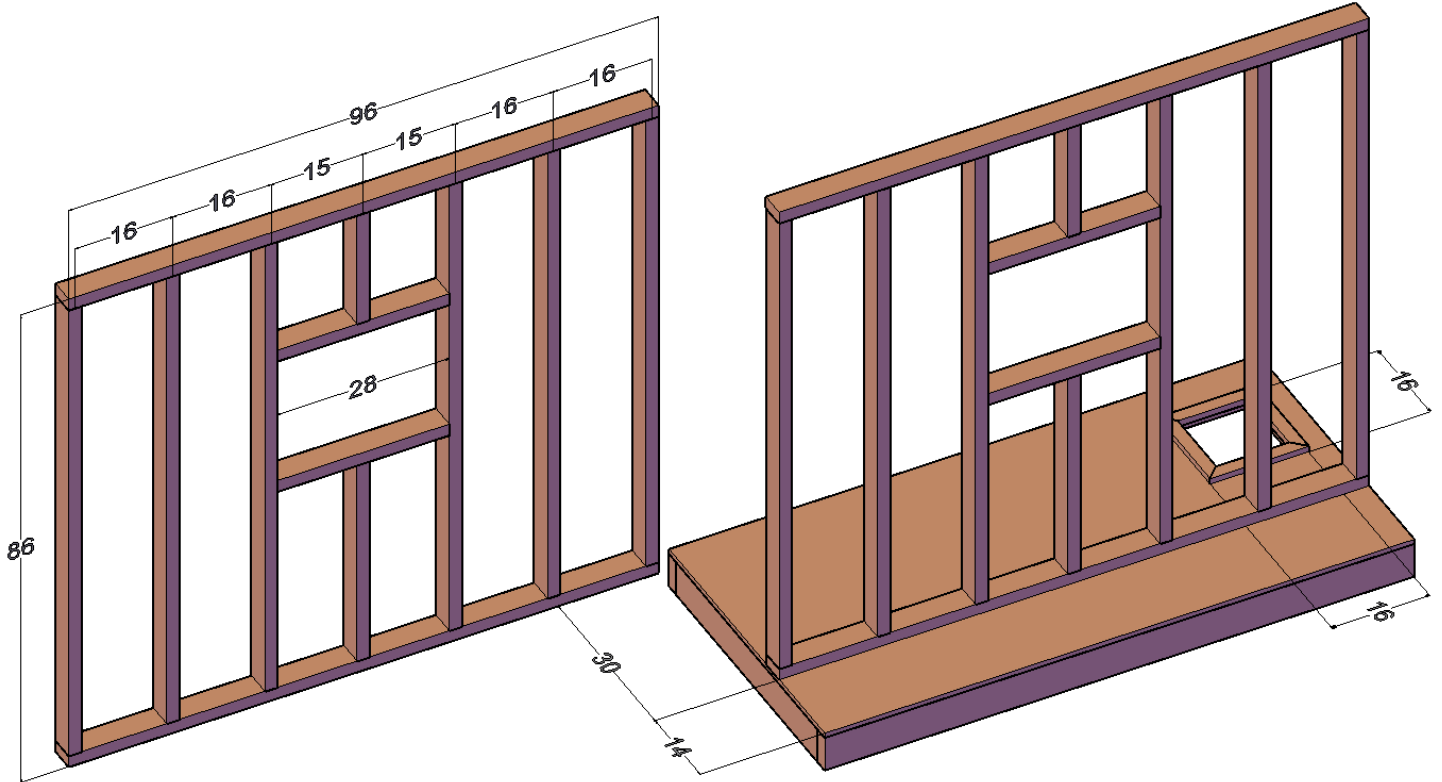


| # | Name          |
|---|---------------|
| 1 | Floor         |
| 2 | Walls         |
| 3 | Frame & Wall  |
| 4 | Nesting Wall  |
| 5 | Supports      |
| 6 | Legs          |
| 7 | Door          |
| 8 | Hinges        |
| 9 | Roof Supports |

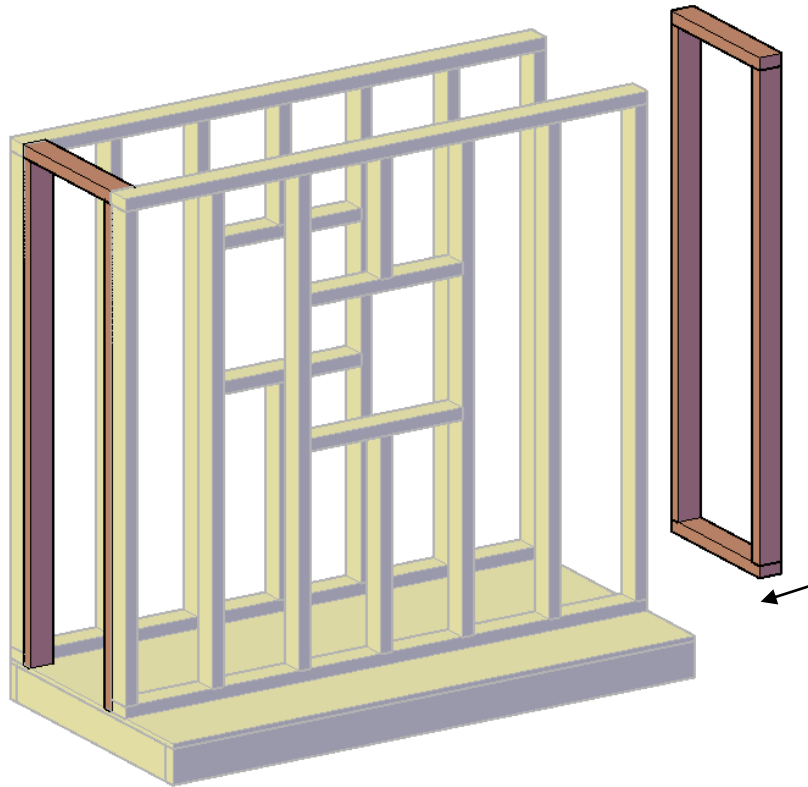
**Step 1:** To build the floor, simply frame up with 2x6s as shown below, using the 3" wood screws or nails. Leave an opening of 12x12 inches and frame it with 1x2.



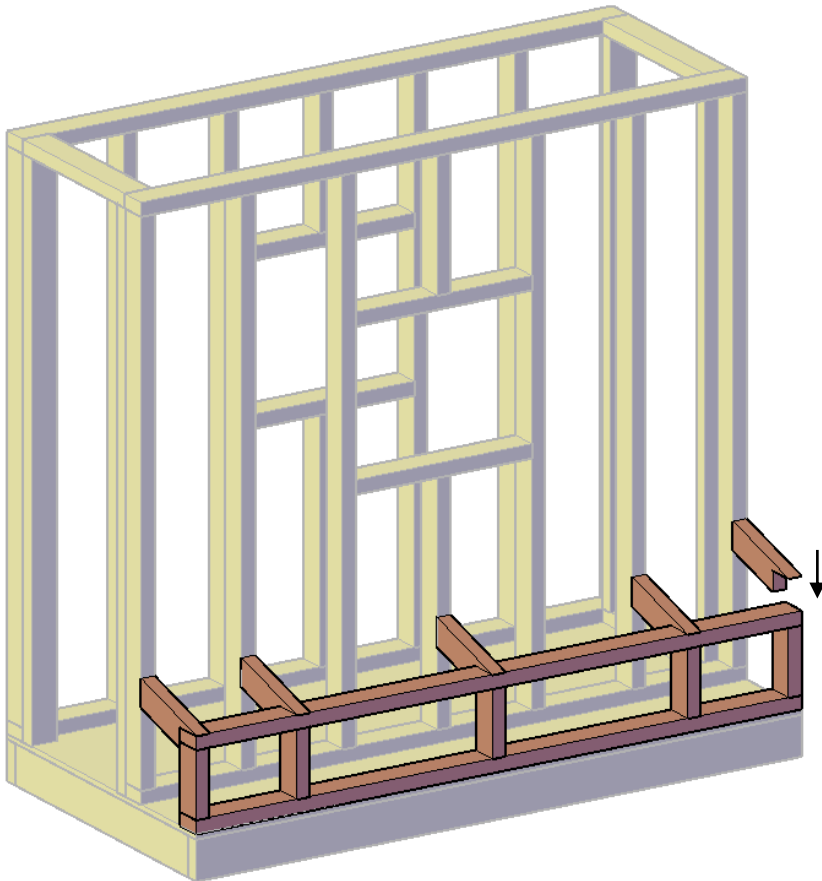
**Step 2:** You will need to frame two side walls. Use 2x4s to build the walls.



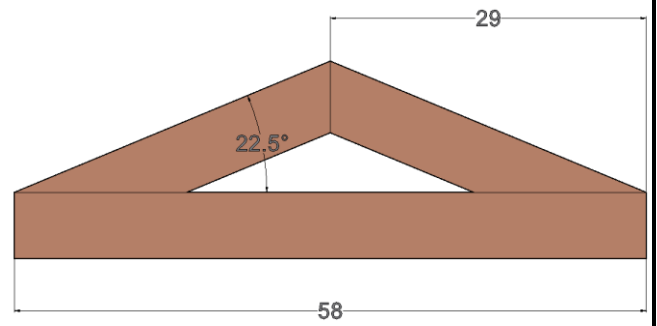
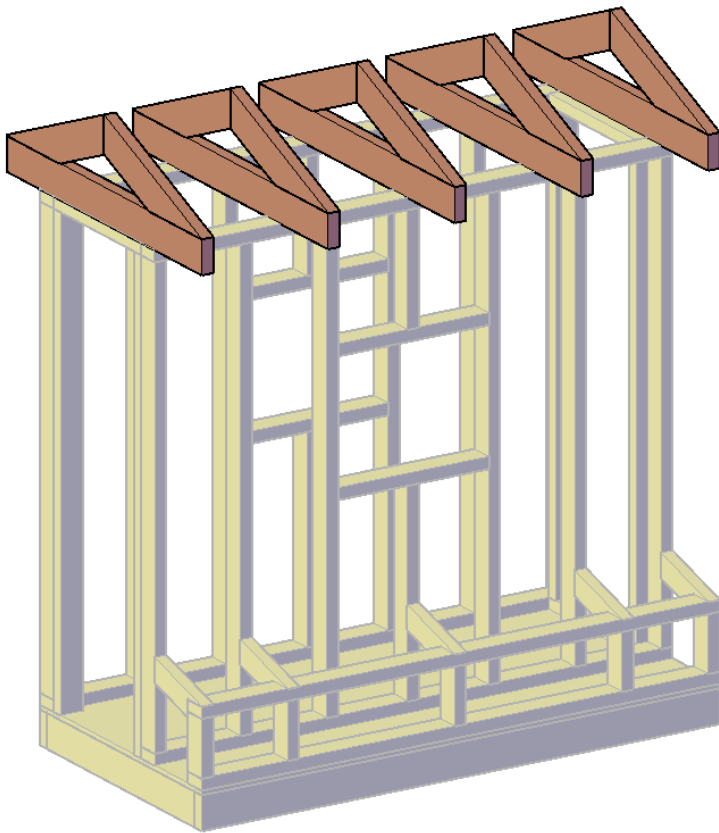
**Step 3:** Use 2x4s to and Attach the wall and frame to the walls.



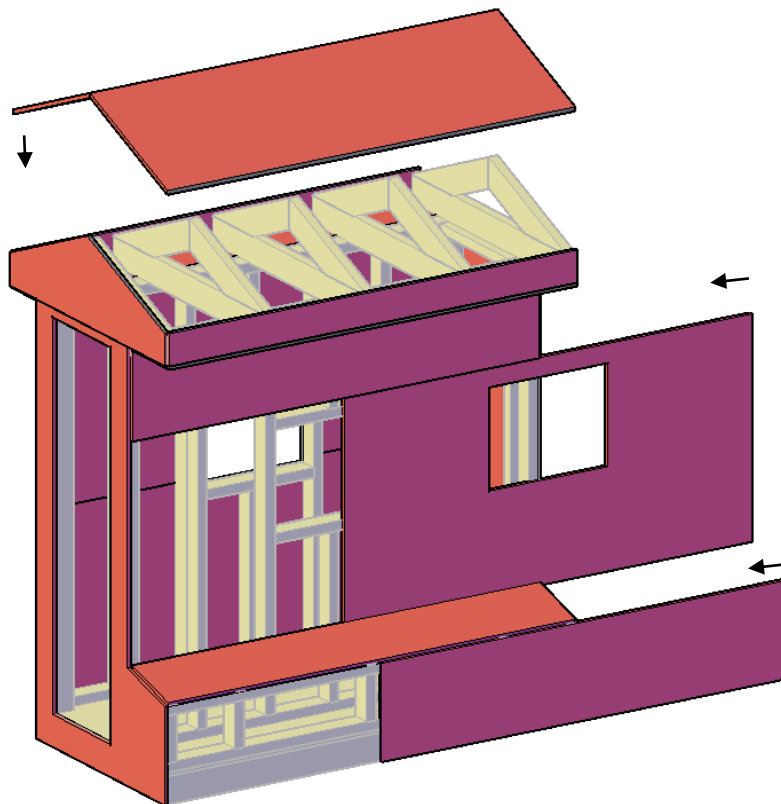
**Step 4:** Use 2x4s to attach the Nest wall and the supports.



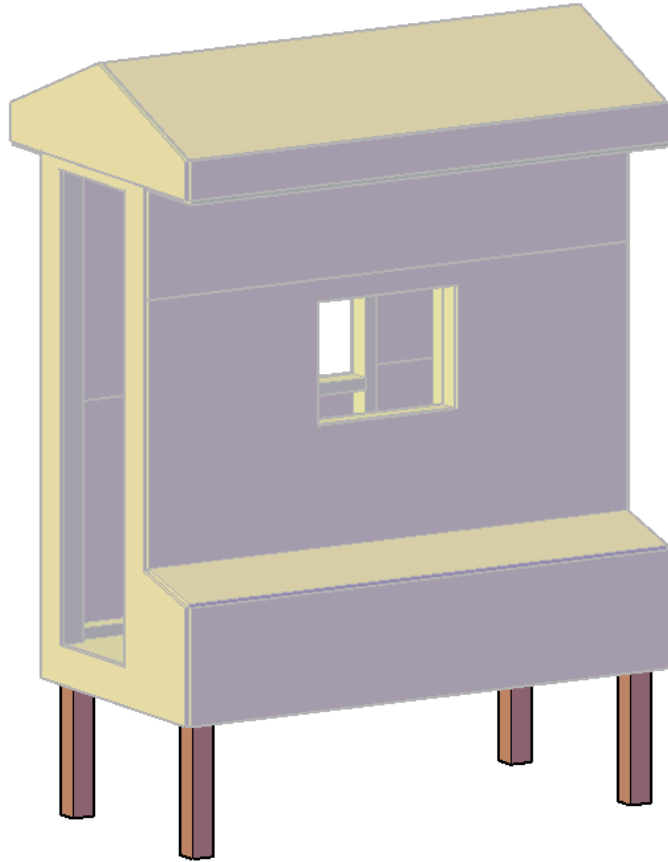
**Step 5:** Use 2x6s for the roof.



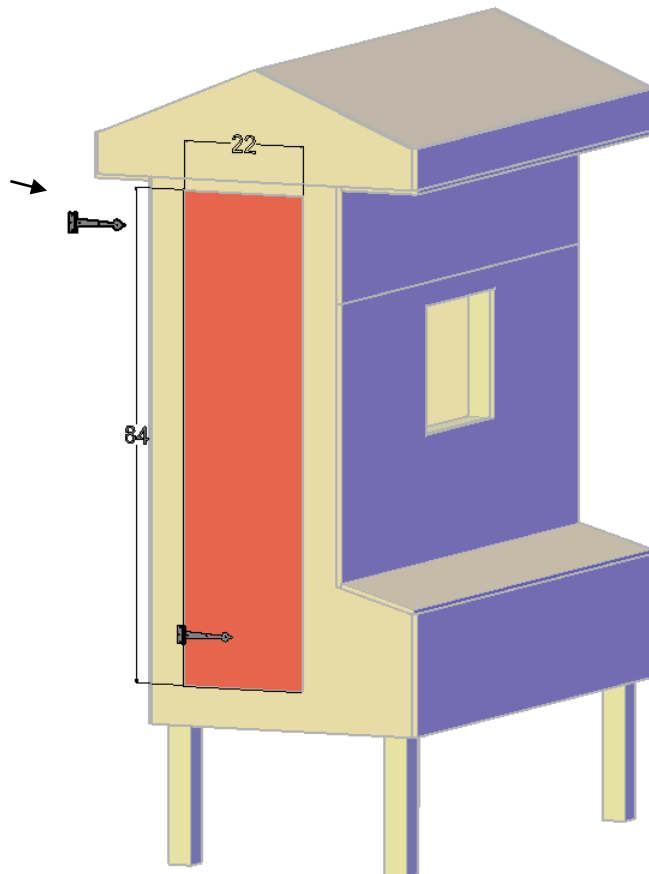
**Step 6:** Cover with triplay the walls and roof.



**Step 7:** Use 4x4s for the legs and attach to the floor.



**Step 8:** Use Strap hinges to attach the door.



**Step 9:** Finally, place the exterior trims and the chicken wire in the lower part.

