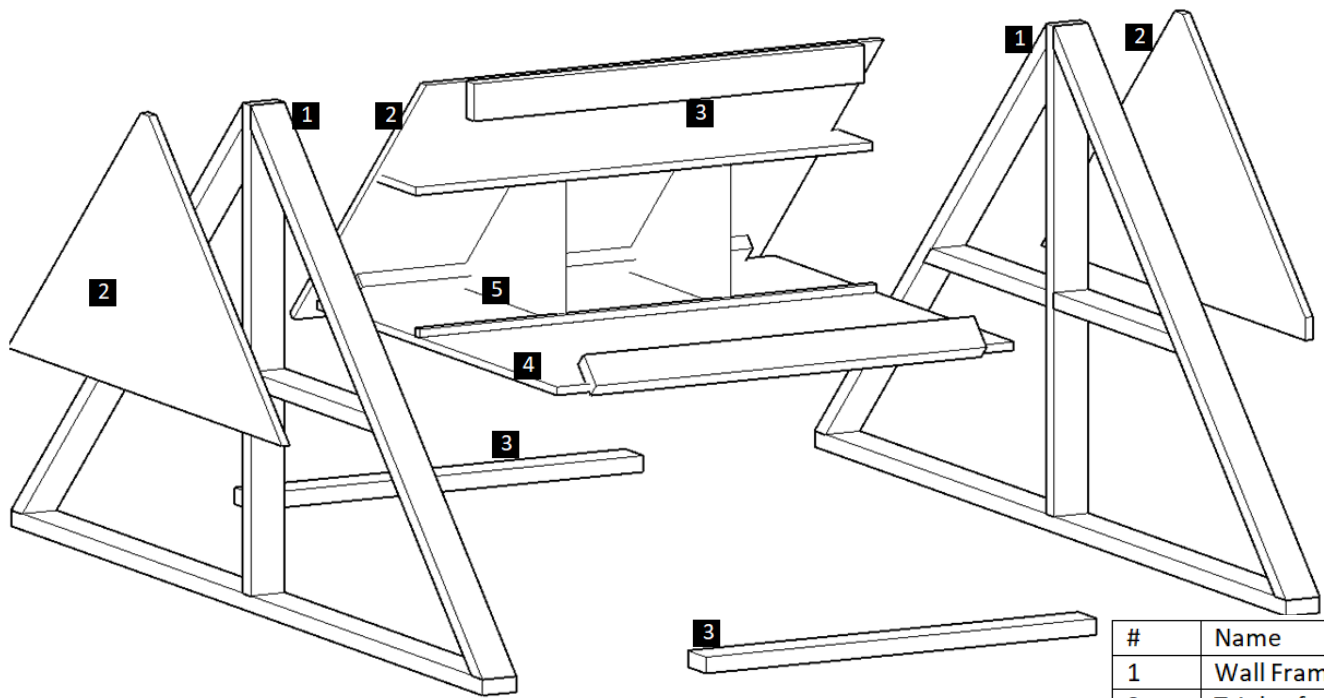
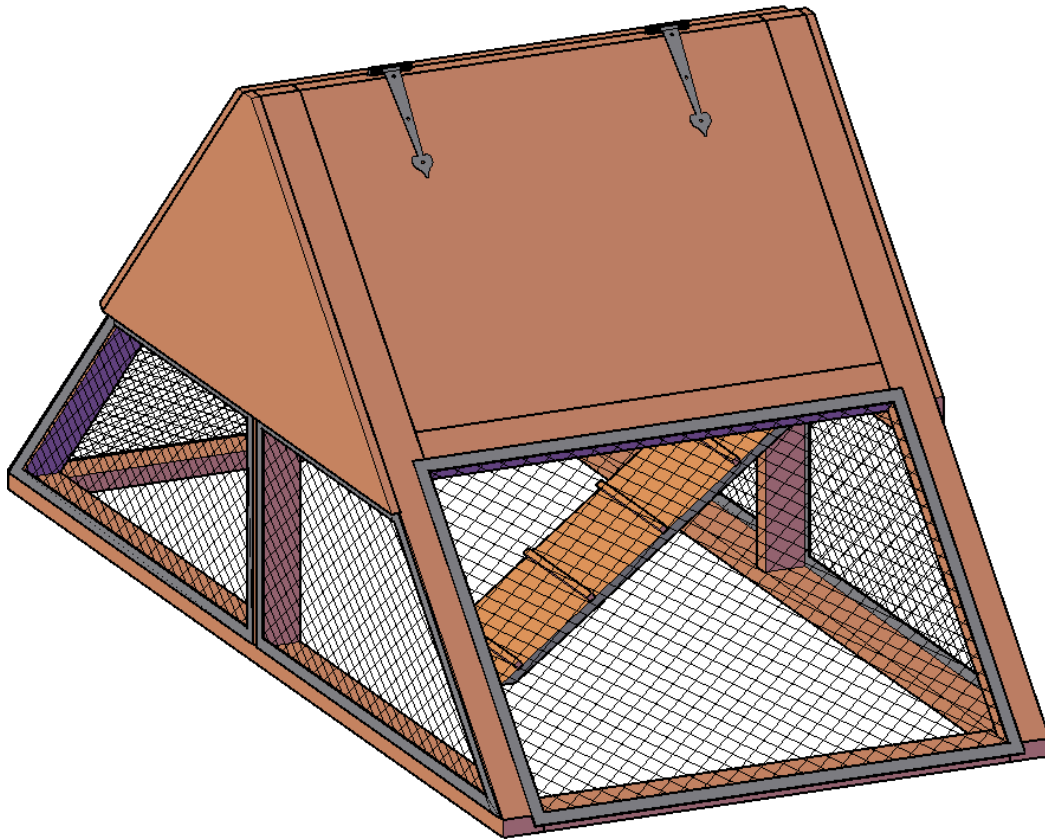


# CHICKEN COOP

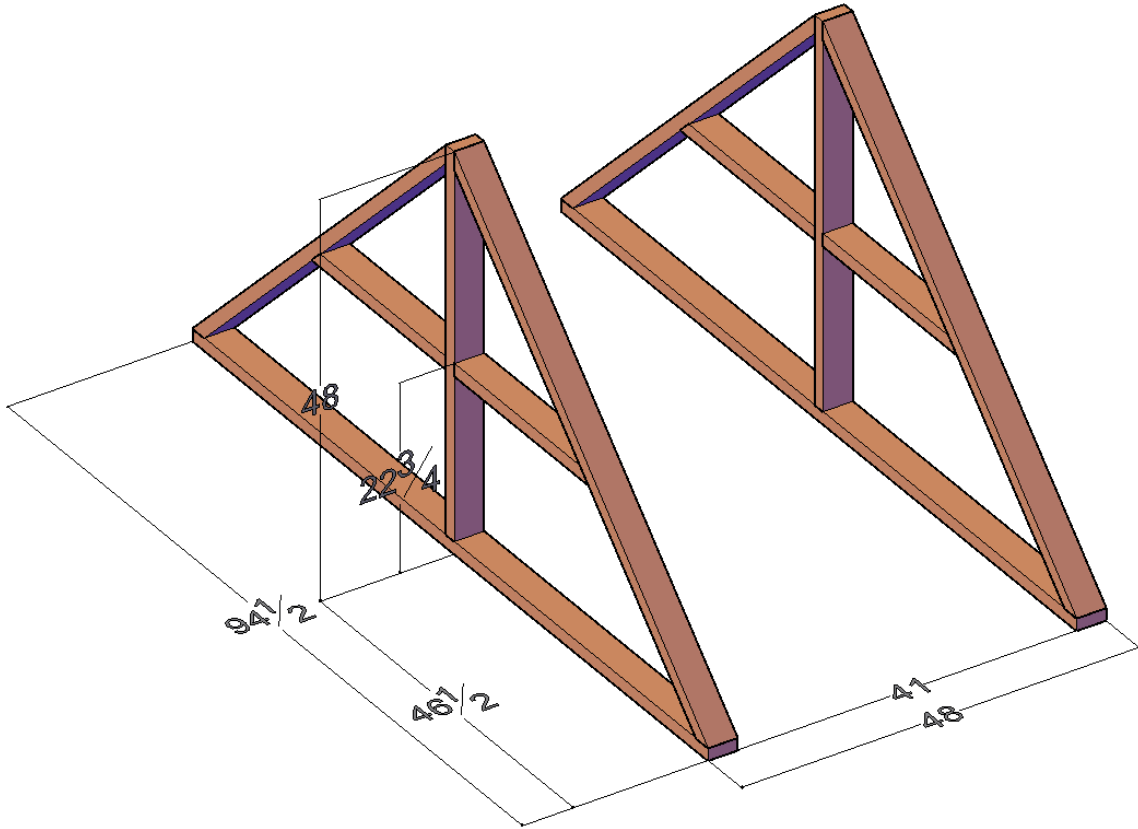


| # | Name             |
|---|------------------|
| 1 | Wall Frame       |
| 2 | Triplay for Wall |
| 3 | Support          |
| 4 | Floor            |
| 5 | Nest Boxes       |

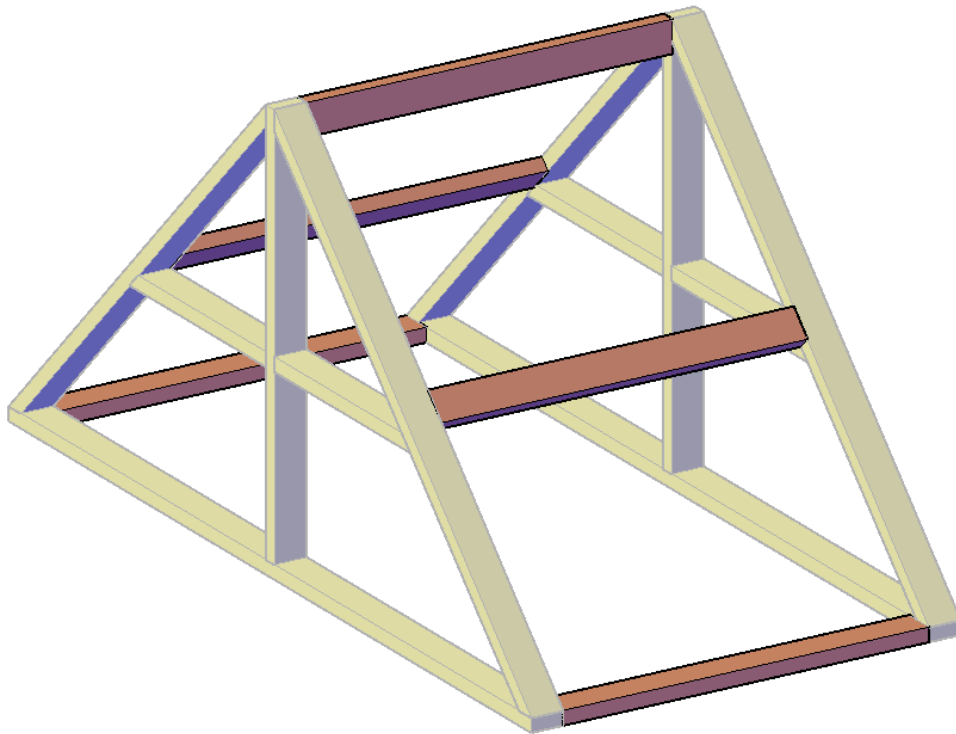
CHICKEN COOP

[www.facebook.com/Mora-Gonzalez-Arquitectos](http://www.facebook.com/Mora-Gonzalez-Arquitectos)

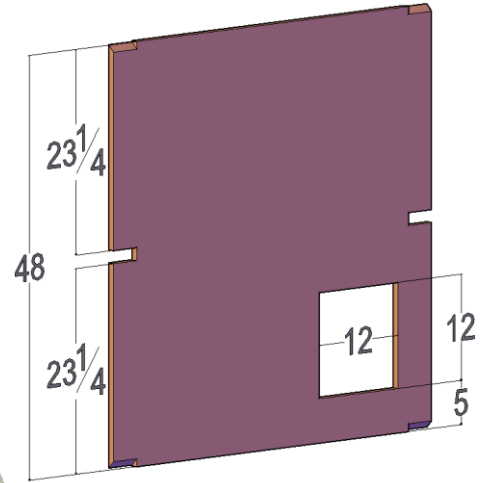
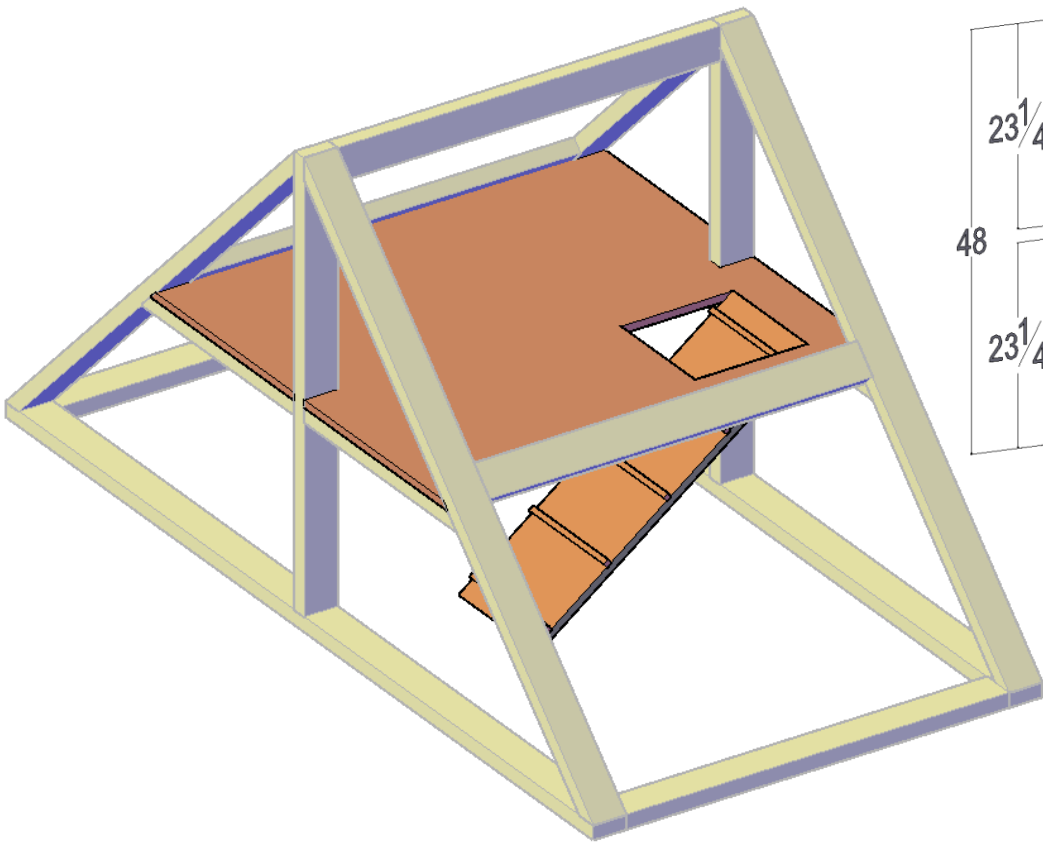
**Step 1:** To build the Frame use 2x4s as shown below, using the 3" wood screws or nails.



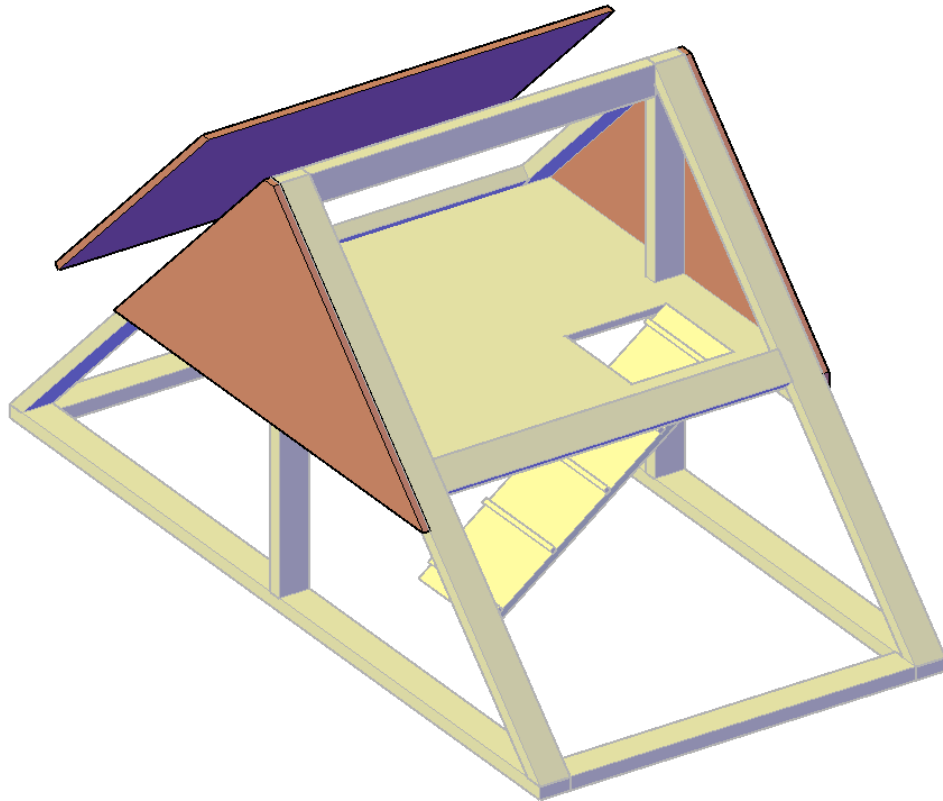
**Step 2:** For supports use 2x4s as shown below and attach with 3" wood screws or nails.



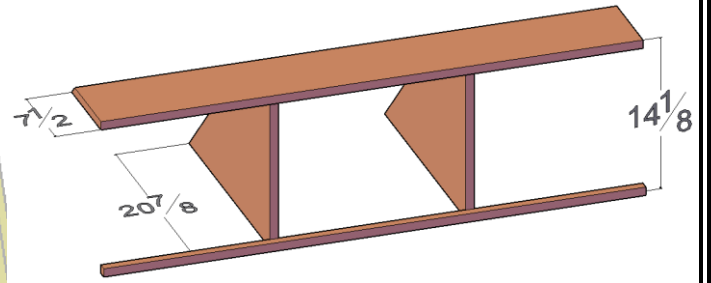
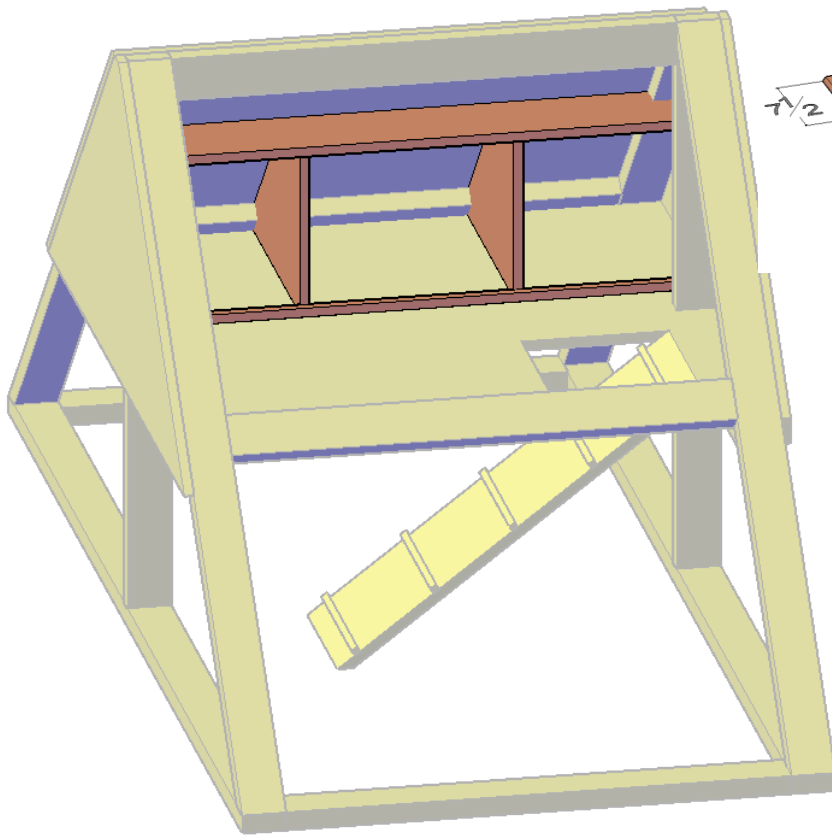
**Step 3:** To build the floor, simply use triplay as shown below.



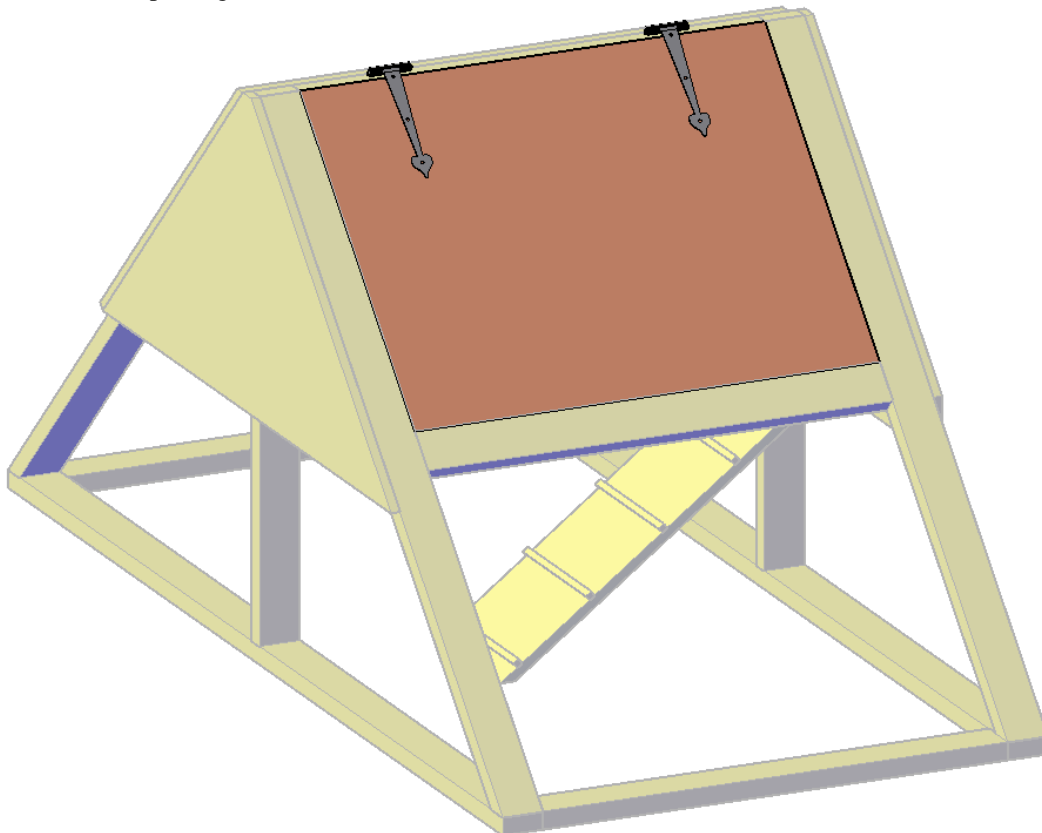
**Step 4:** Cover the walls with triplay as shown below.



**Step 5:** Attach the Nest boxes together with the following measurements.



**Step 6:** Attach the door and strap hinges.



**Step 7:** Finally use chicken wire to cover the perimeter.

