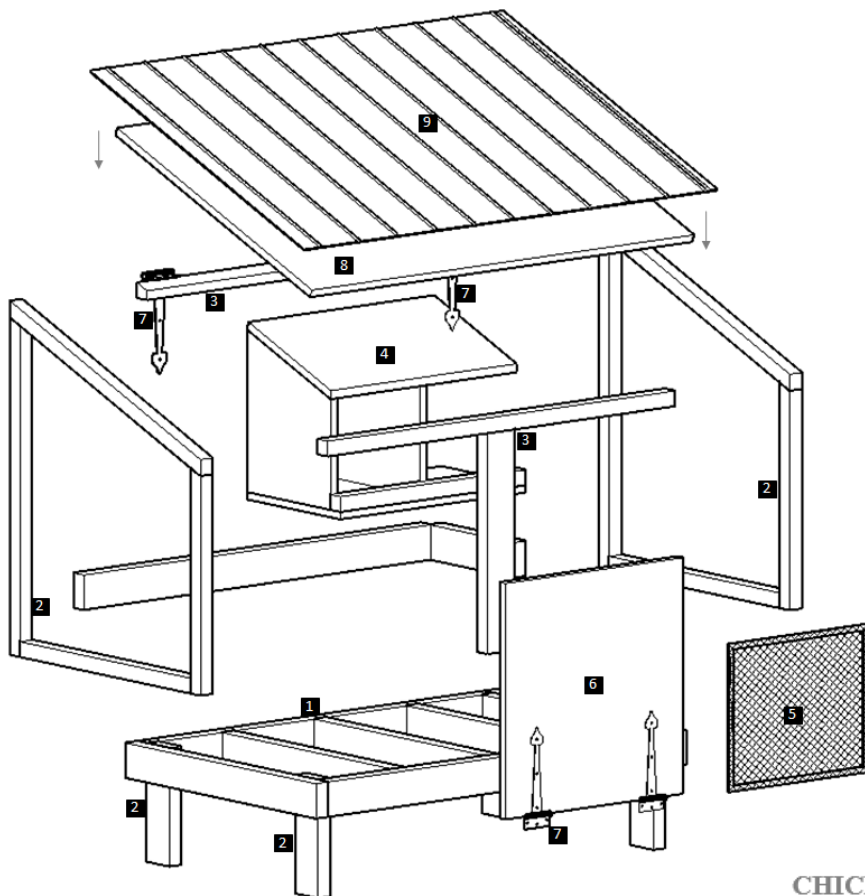
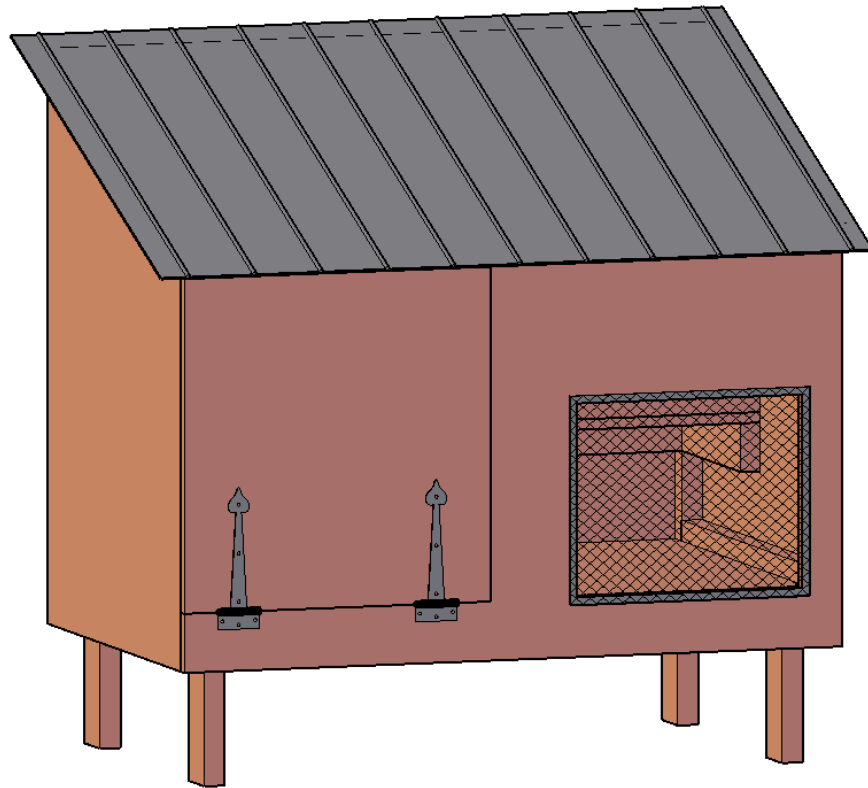


CHICKEN COOP

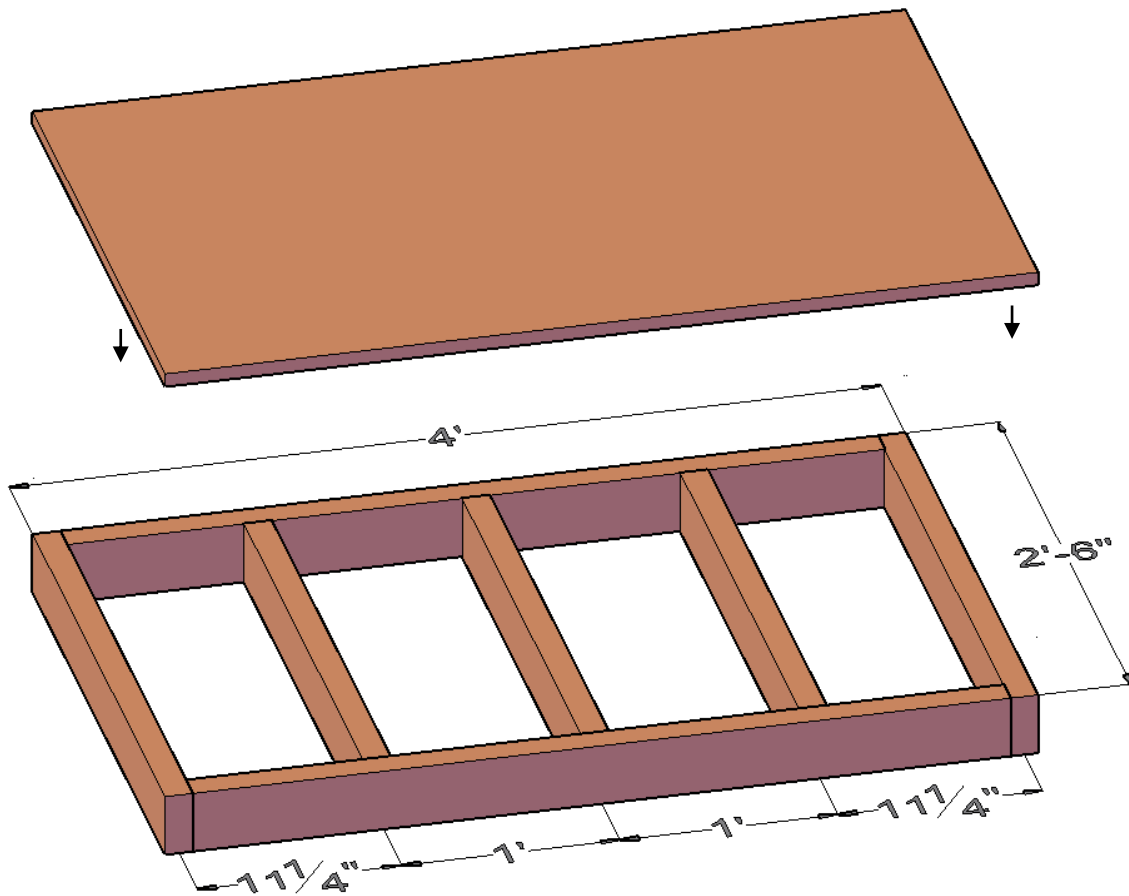


#	Name
1	Floor
2	Walls
3	Supports
4	Nest Box
5	Windows
6	Door
7	Hinges
8	Roof
9	Metal Roof

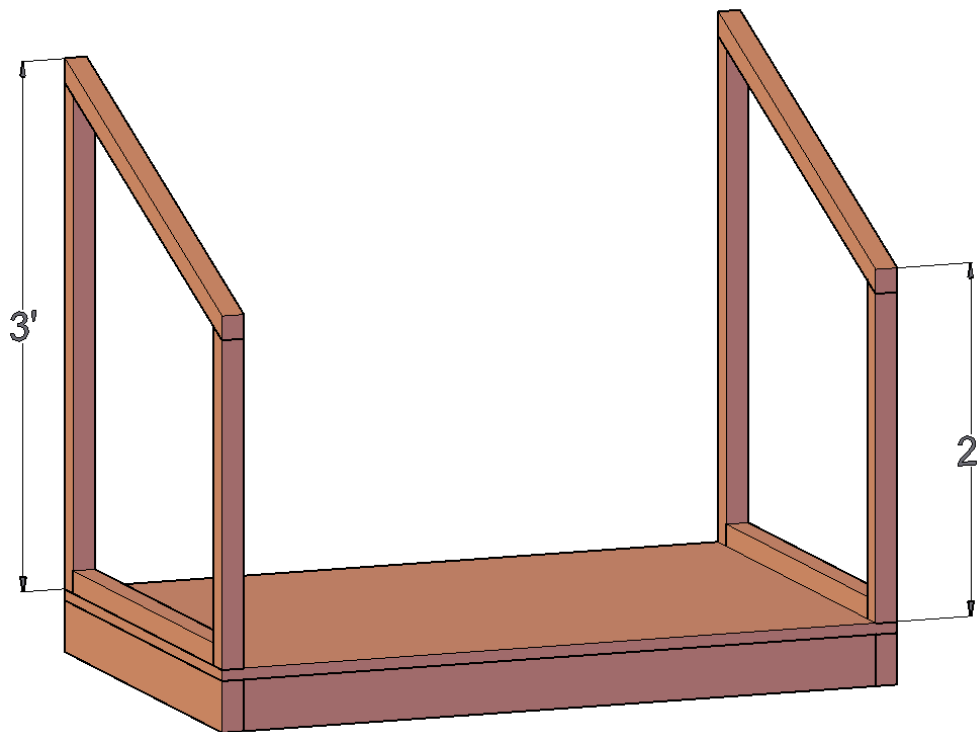
CHICKEN COOP

www.facebook.com/Mora-Gonzalez-Arquitectos

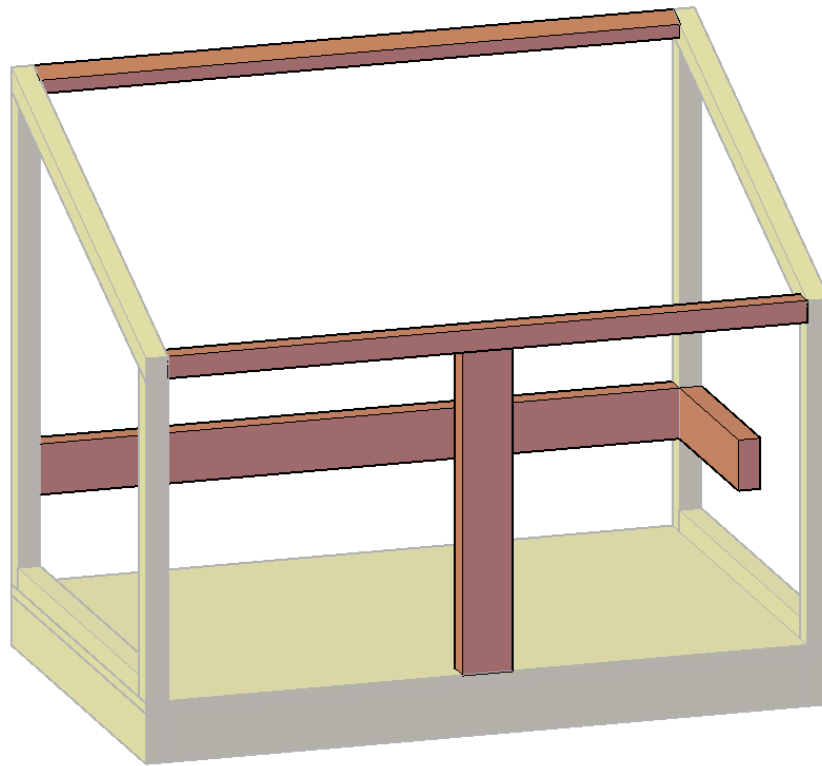
Step 1: To build the floor, simply frame up with 2x4s as shown below, using the 3" wood screws or nails.



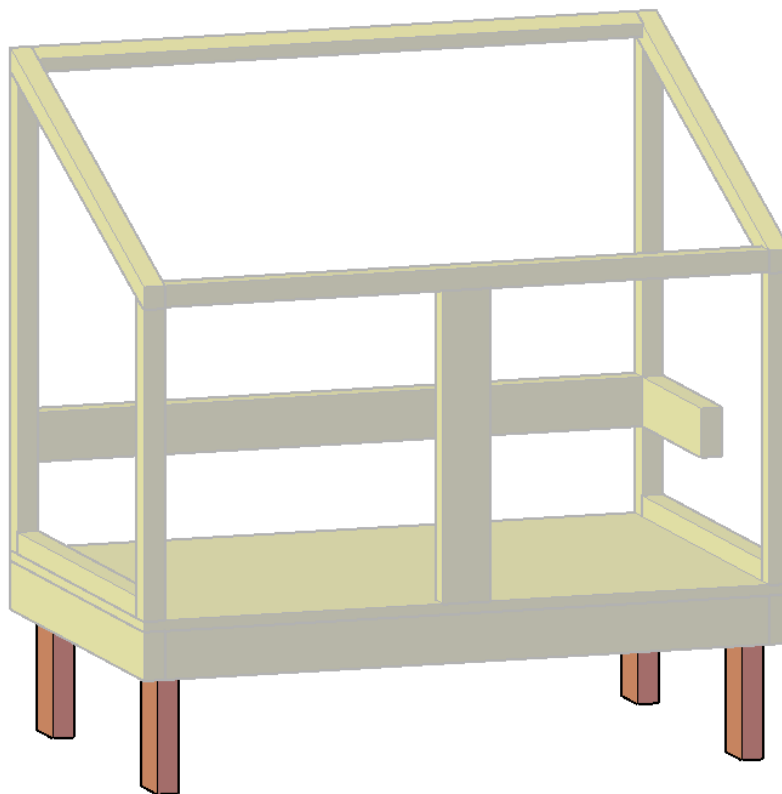
Step 2: You will need to frame two side walls. Use 2x2s to build the walls.



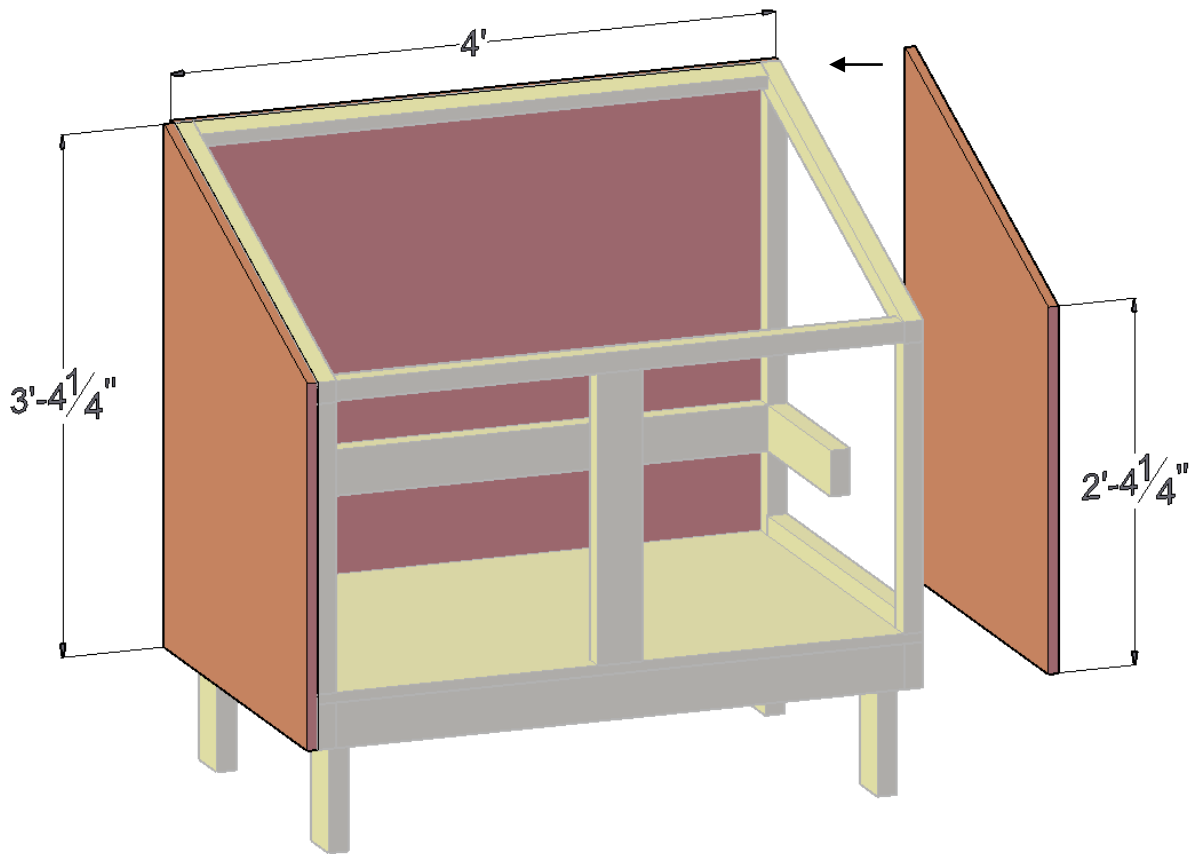
Step 3: Use 2x4s and 2x2s to attach the wall supports.



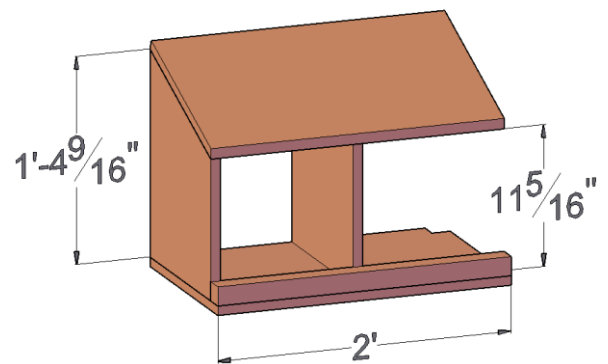
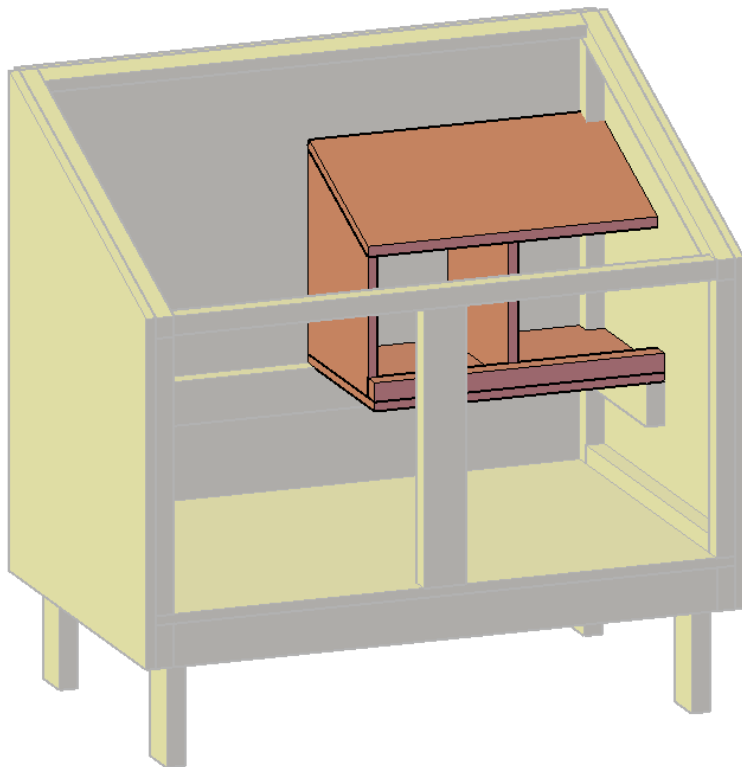
Step 4: Use 2x4s for the legs and attach to the floor.



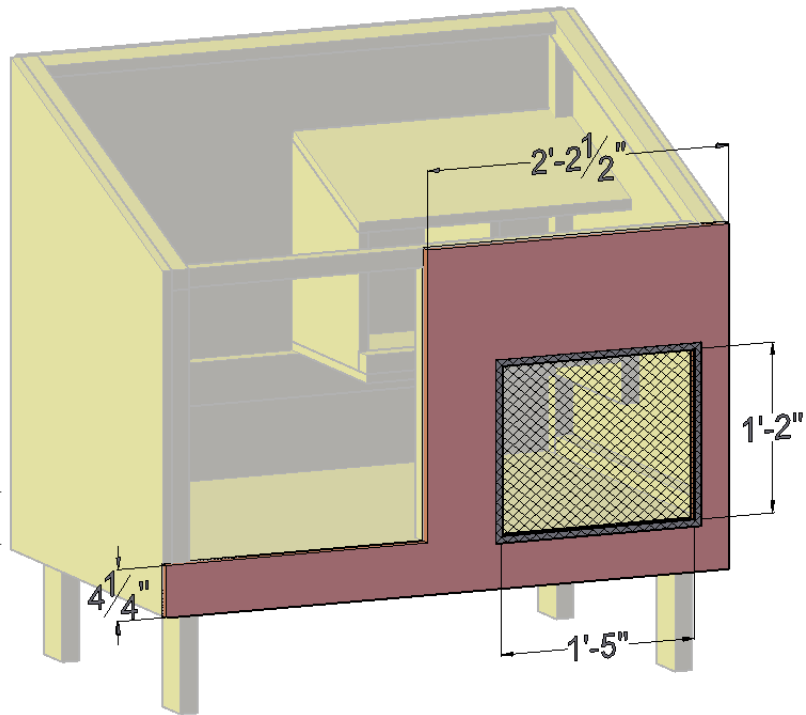
Step 5: Cover with triplay the walls and roof.



Step 6: Attach the Nest boxes together with the following measurements



Step 7: Cover with triplay the front walls and roof.



Step 8: Finally, place the door and roof hinges. Also place the roof.

