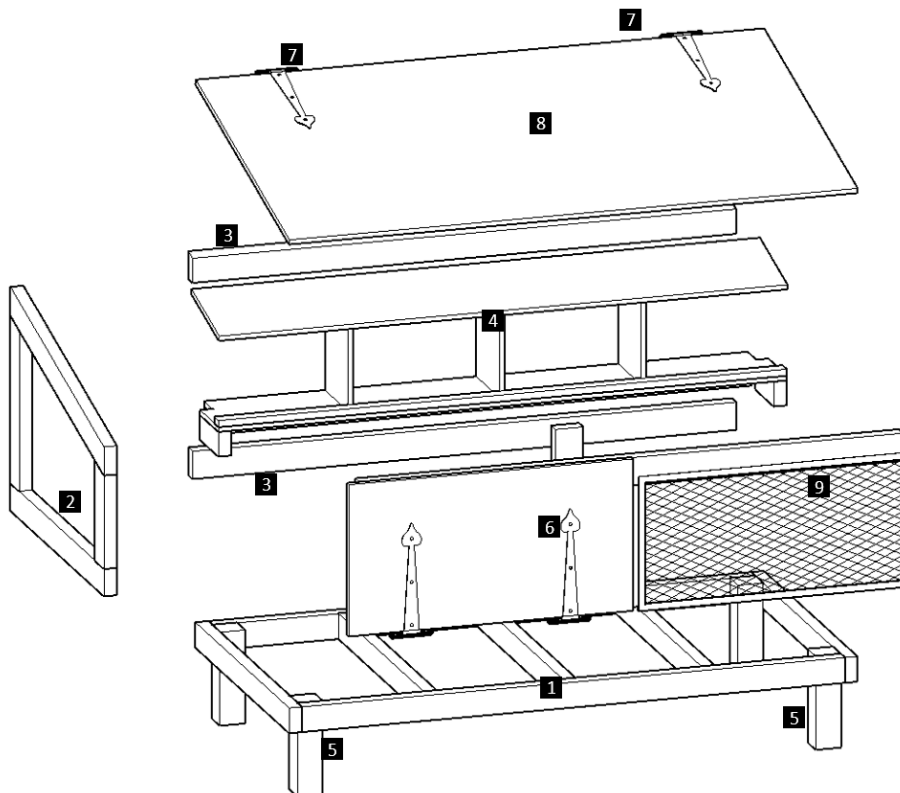
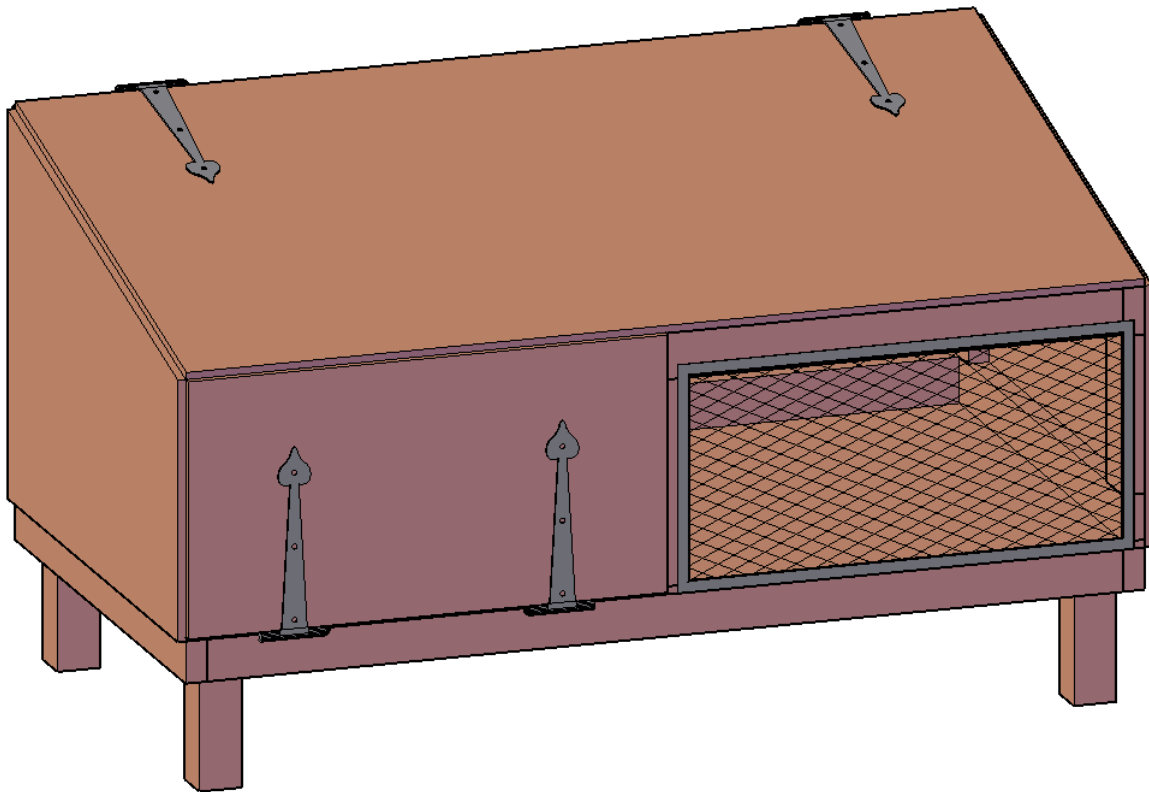


CHICKEN COOP

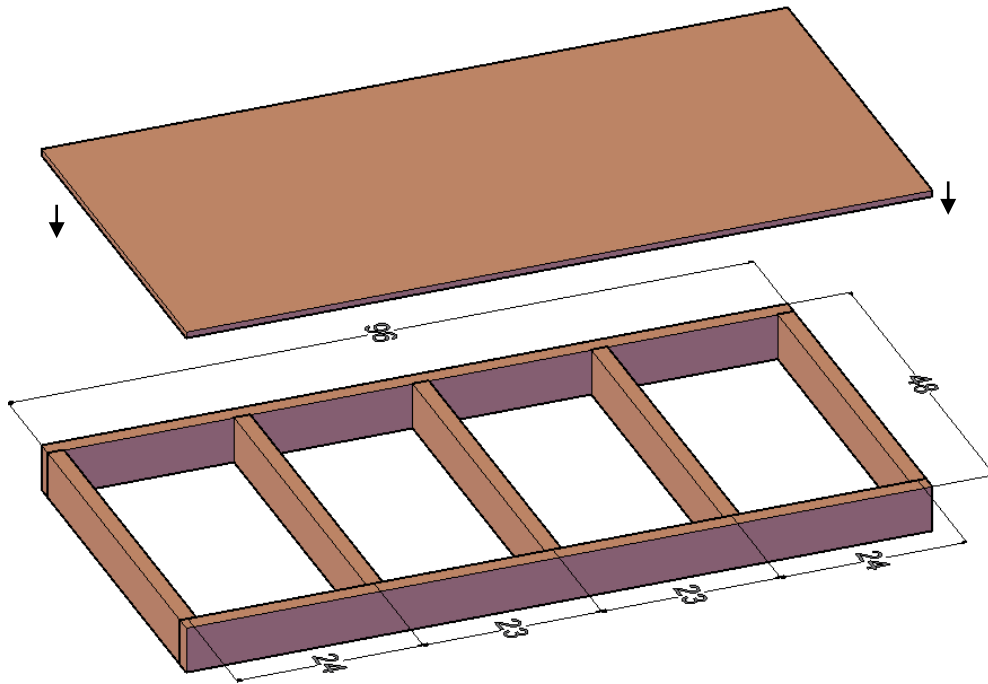


#	Name
1	Floor
2	Walls
3	Supports
4	Nesting
5	Legs
6	Door
7	Hinges
8	Roof
9	Chicken Wire

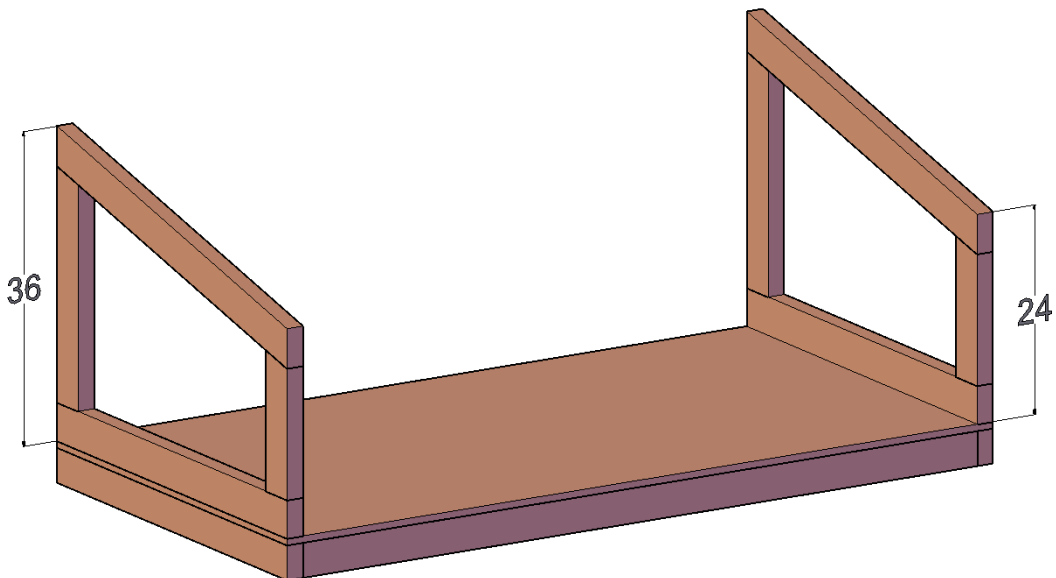
CHICKEN COOP

www.facebook.com/Mora-Gonzalez-Arquitectos

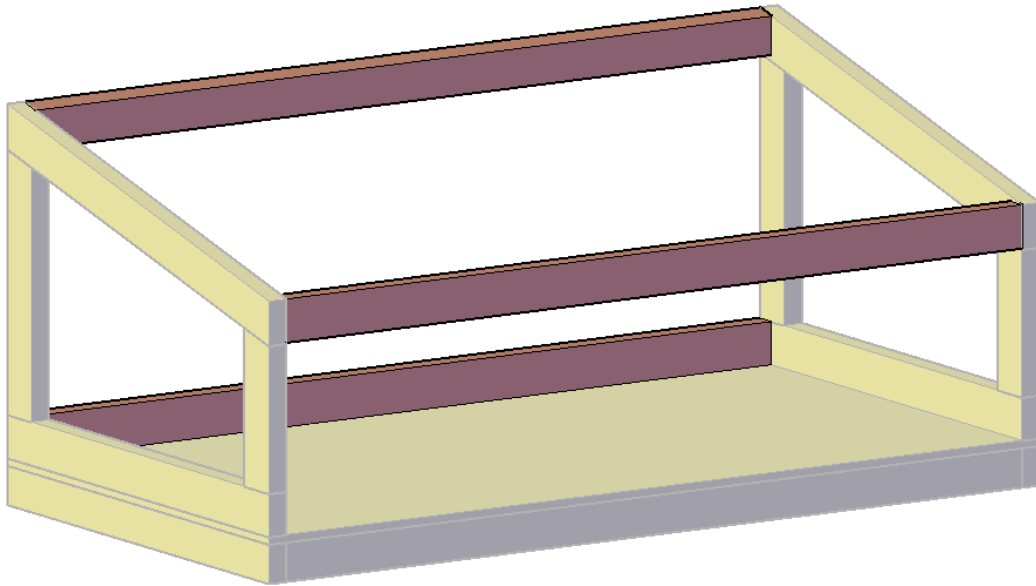
Step 1: To build the floor, simply frame up with 2x6s as shown below, using the 3" wood screws or nails.



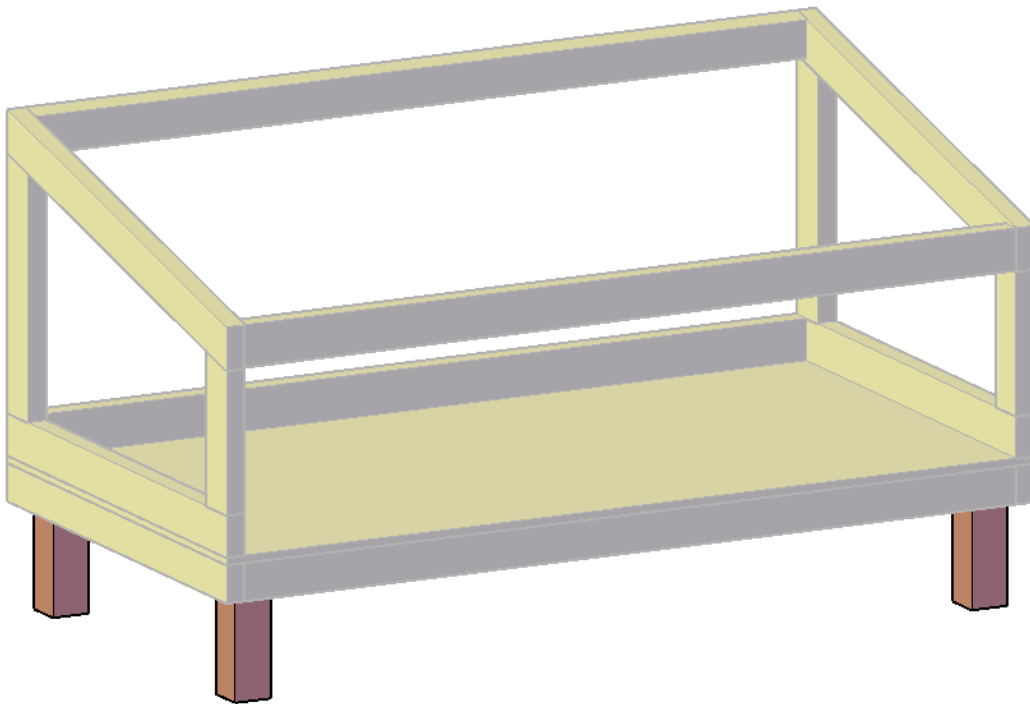
Step 2: You will need to frame two side walls. Use 2x4s to build the walls.



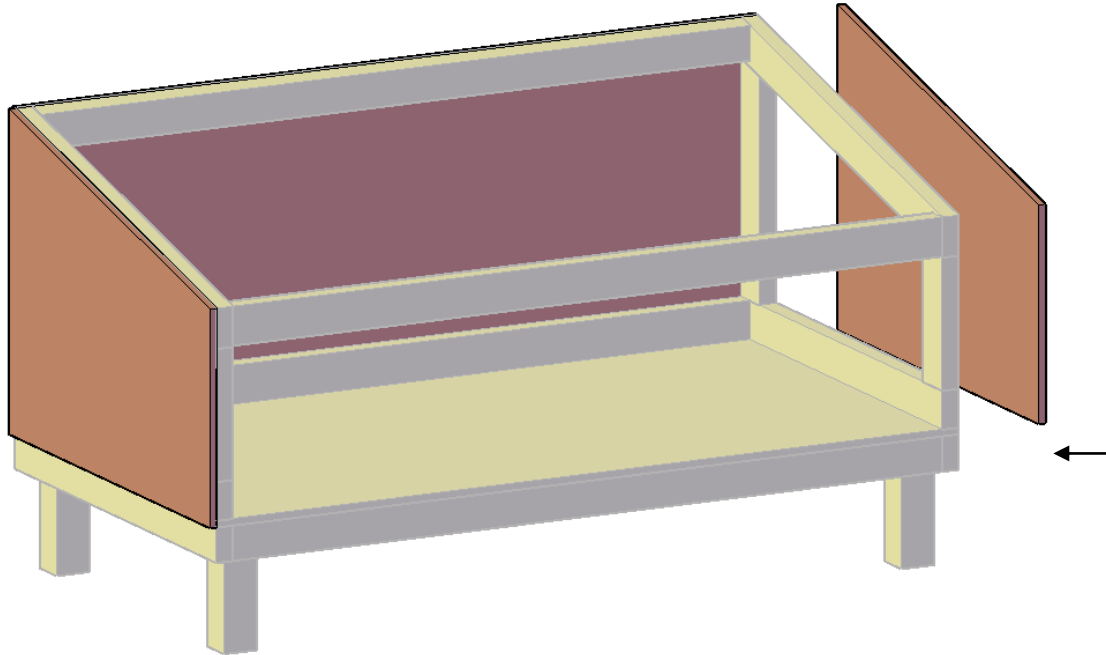
Step 3: Use 2x4s to attach the wall supports.



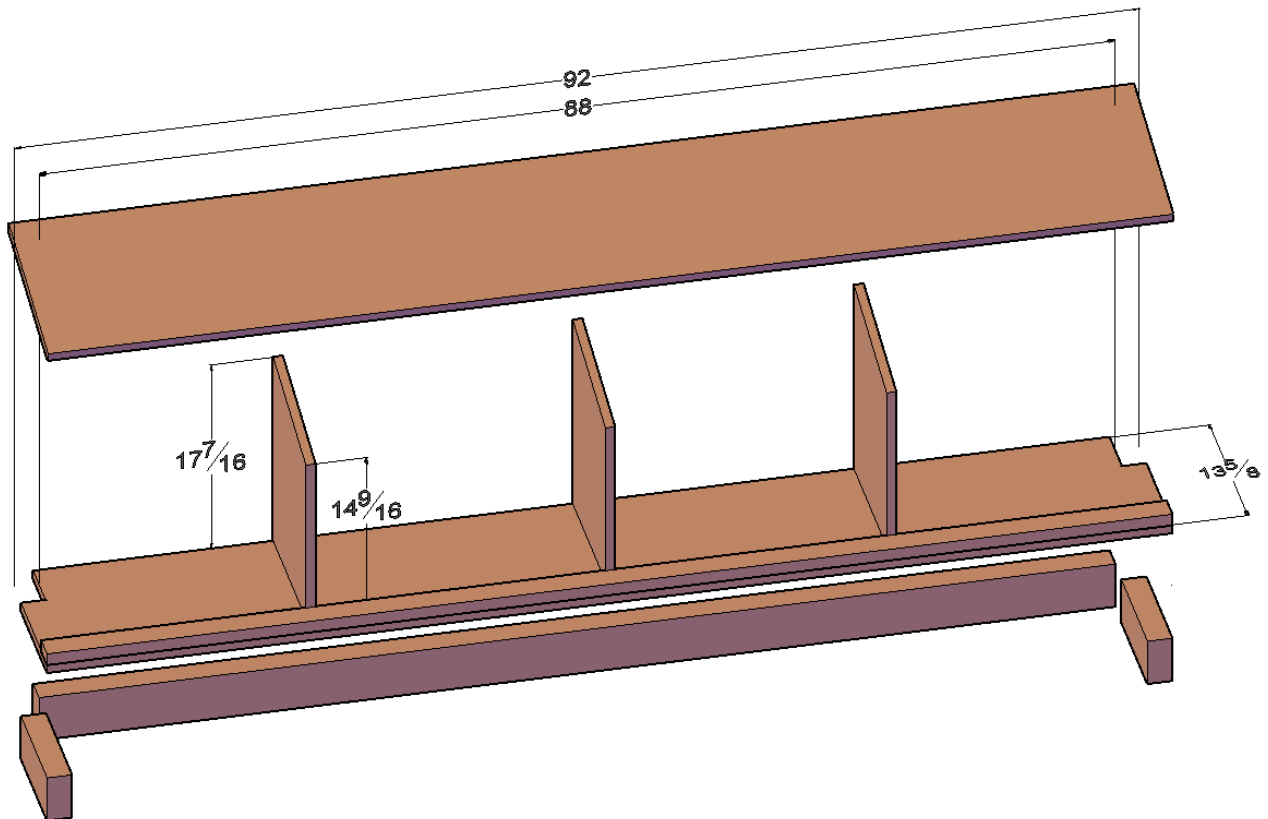
Step 4: Use 4x4s for the legs and attach to the floor.



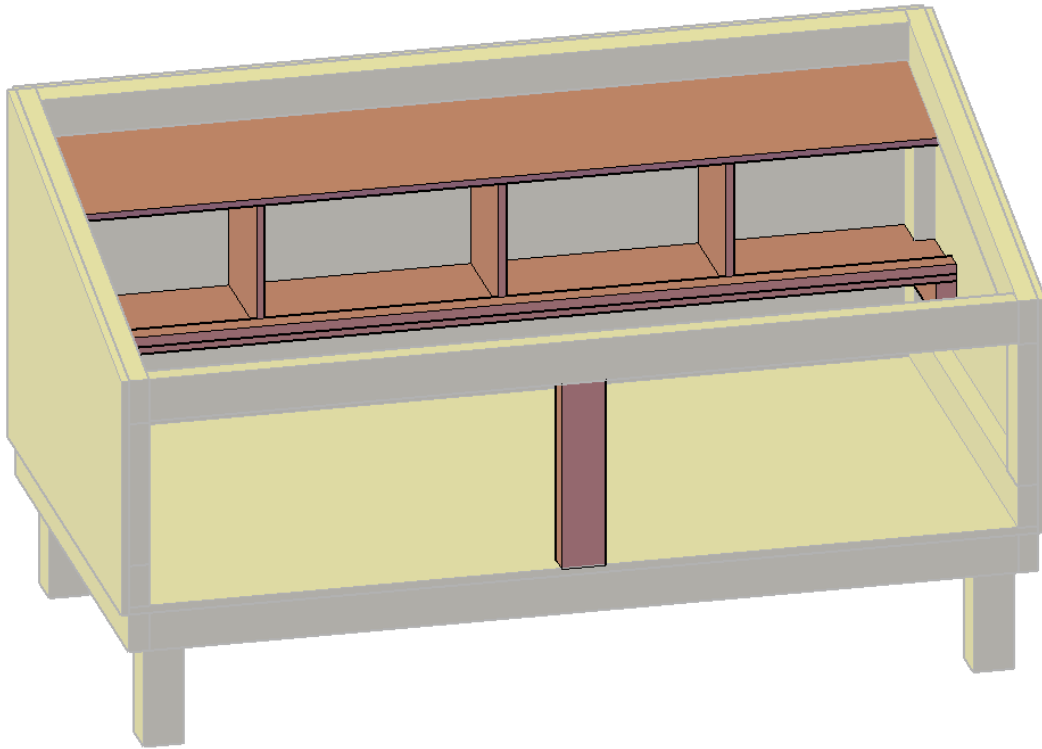
Step 5: Cover with triplay the walls and roof.



Step 6: Attach the Nest boxes with the following measurements. Use 2x4s as supports.



Step 7: Attach the nest boxes to the perimeter. Then use 2x4s to attach the central support.



Step 8: Use Strap hinges to attach the doors.

