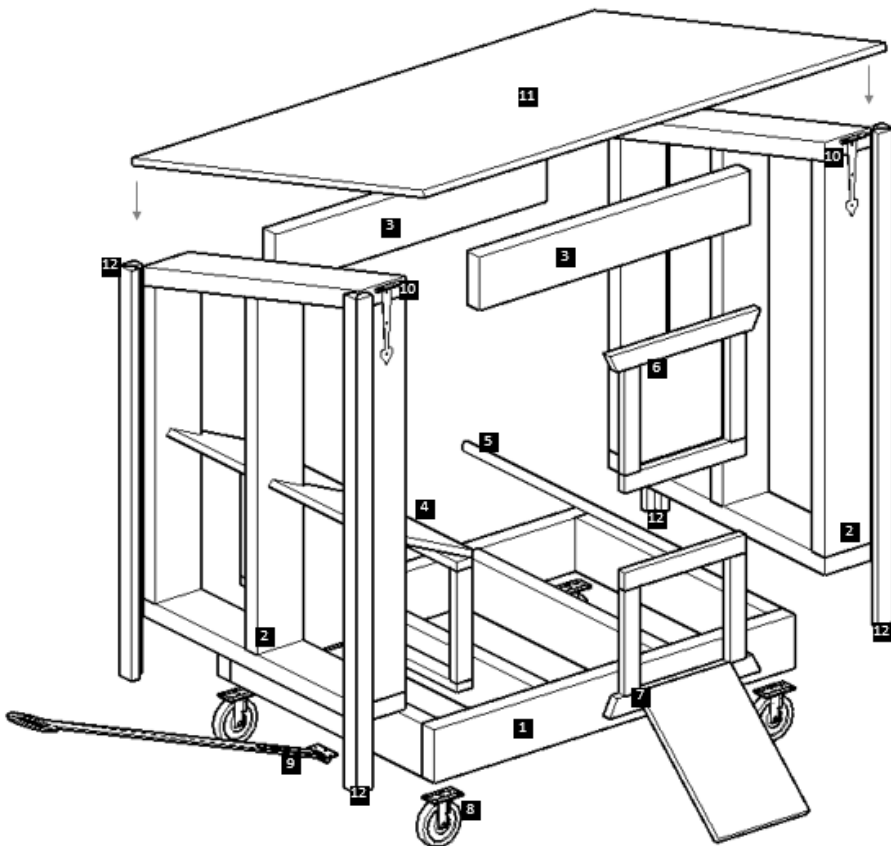


MOBILE CHICKEN COOP

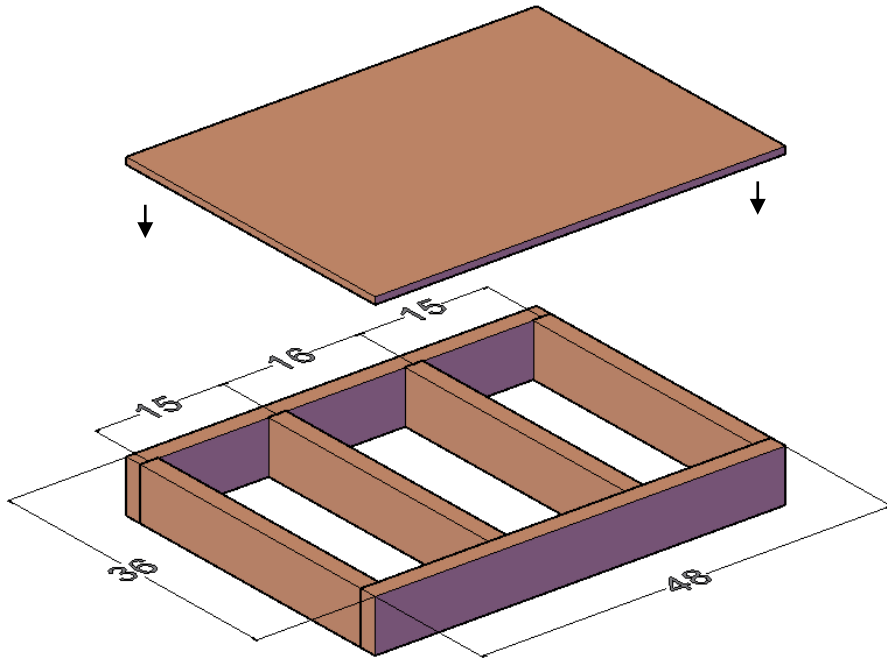


#	Name
1	Floor
2	Walls
3	Supports
4	Nest Box
5	Rooster Pole
6	Windows
7	Door
8	Wheels
9	Handle
10	Hinges
11	Roof
12	Trims

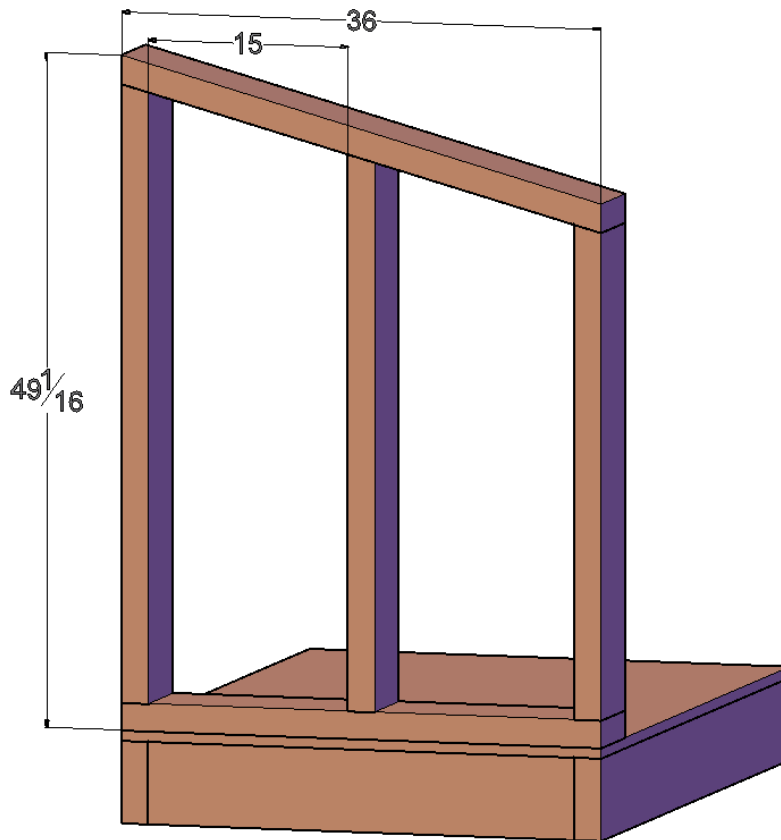
CHICKEN COOP

www.facebook.com/Mora-Gonzalez-Arquitectos

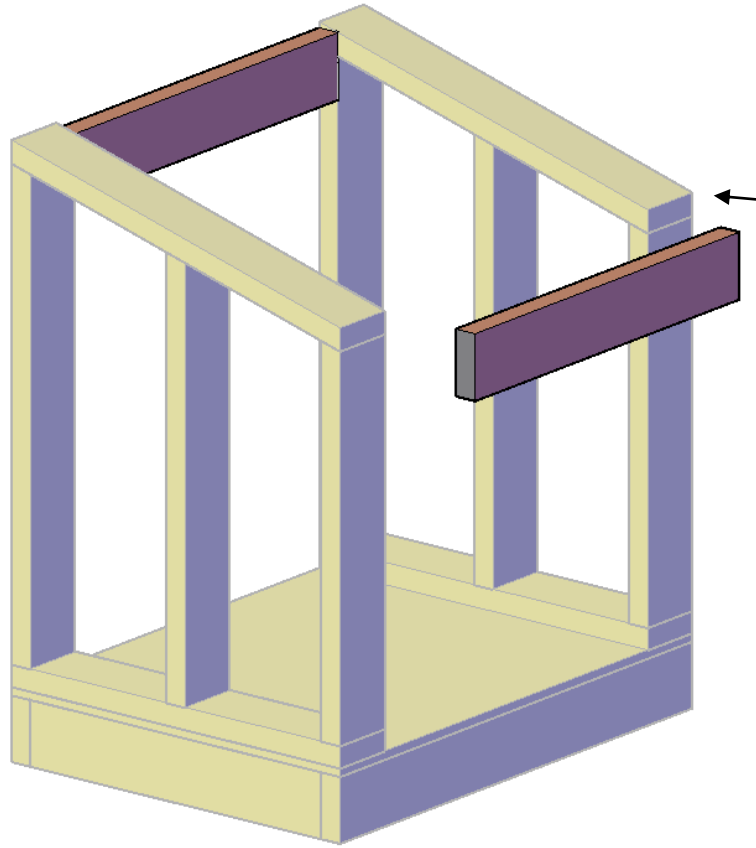
Step 1: To build the floor, simply frame up with 2x4s as shown below, using the 3" wood screws or nails.



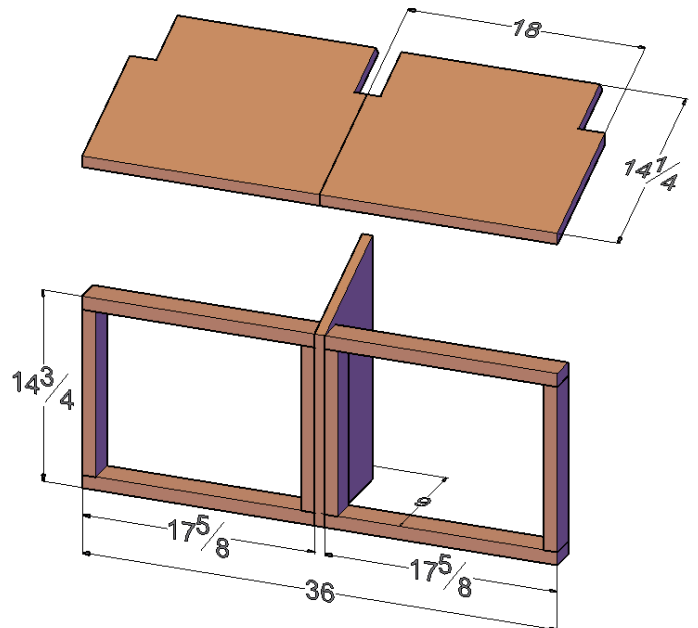
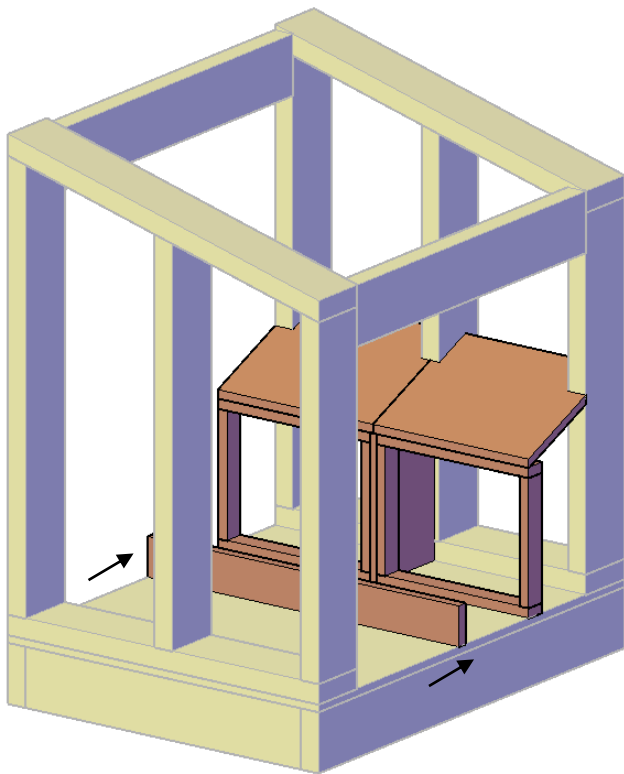
Step 2: You will need to frame two side walls. Use 2x4s to build the walls.



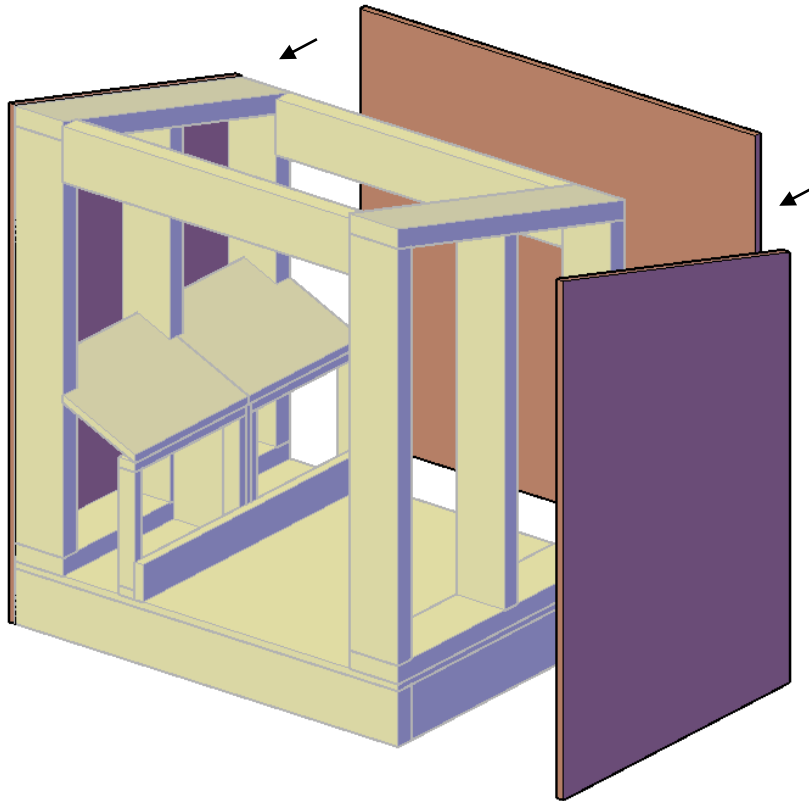
Step 3: Attach the supports 2x4s to the walls.



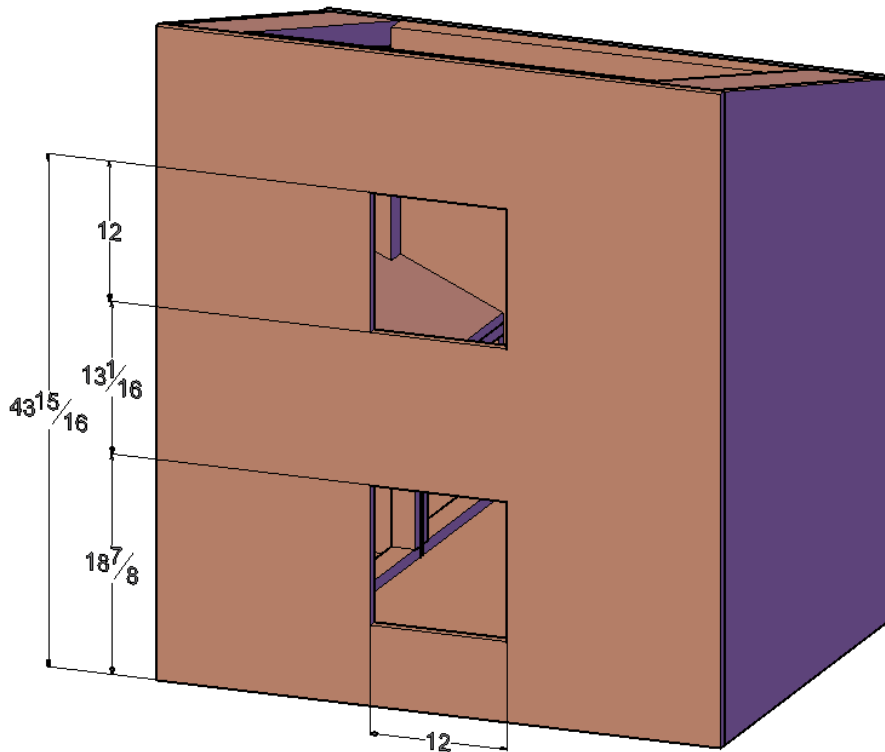
Step 4: Use 1x2s to build the nest frame.



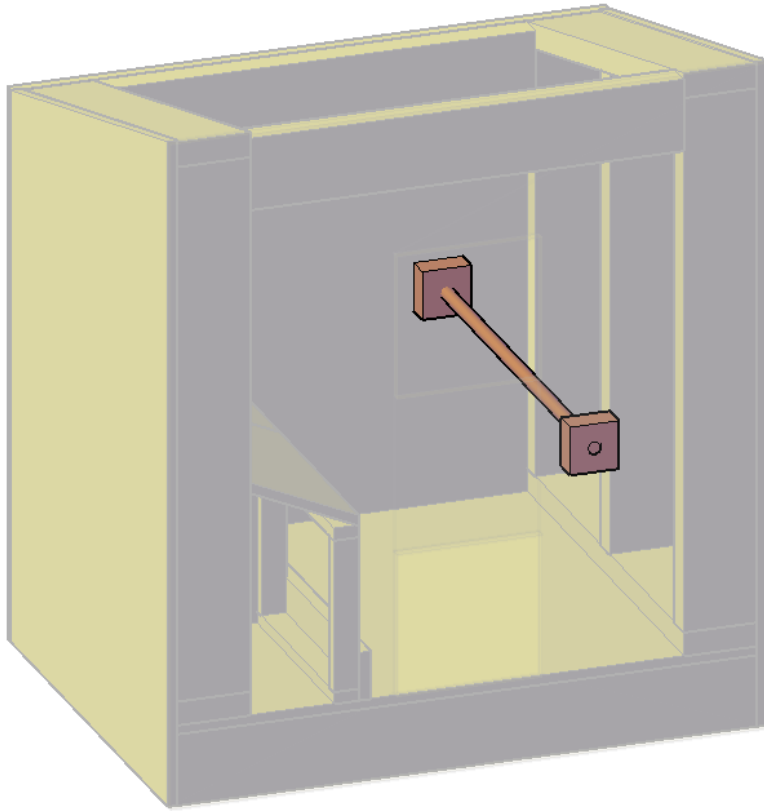
Step 5: Attach the triplay to the walls with 3" deck screws. Finally attach a 1x4 to the nest.



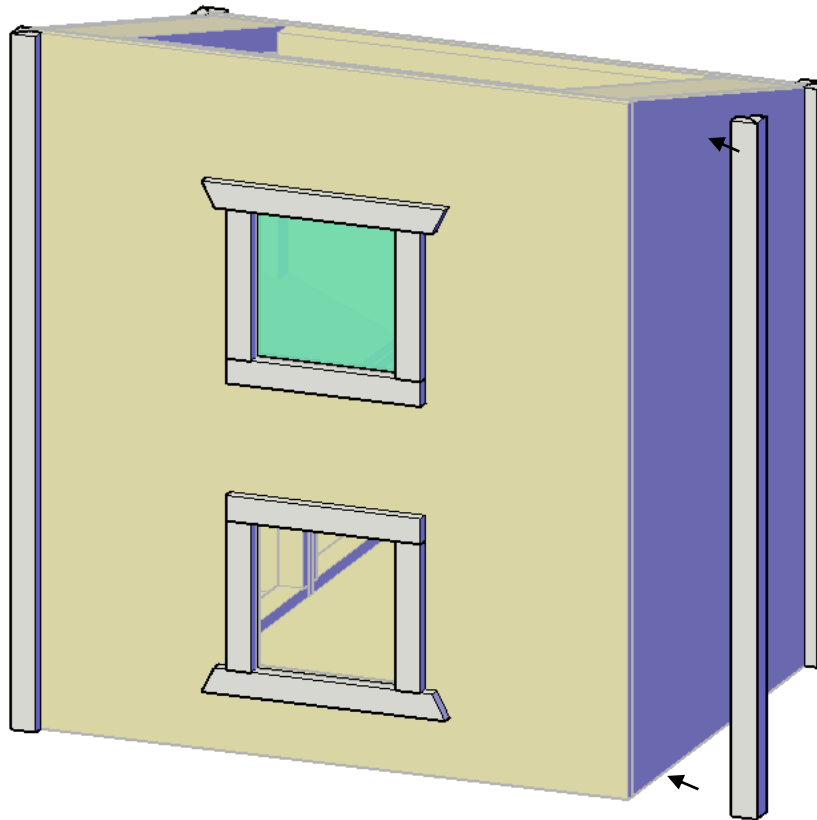
Step 6: Place the front triplay with the window and door openings.



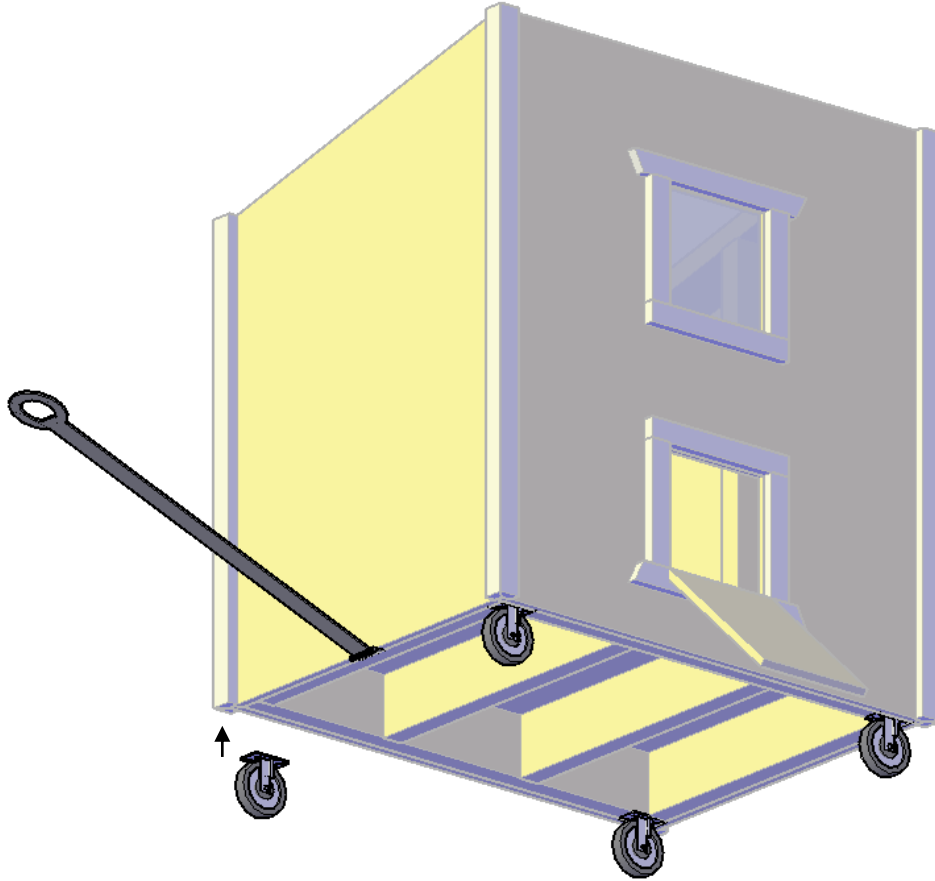
Step 7: Then attach the Pole and two 2x4 with 3`` deck screws



Step 8: Use 1x2s for the trims and attach the triplay with 2`` deck screws.



Step 9: Attach the wheels and handle to the floor with 3 deck screws



Step 10: Attach the strap hinges to the roof and front wall.



Step 11: Make the following cuts in the lateral wall. Then attach hinges to small doors for the chicken nests.

