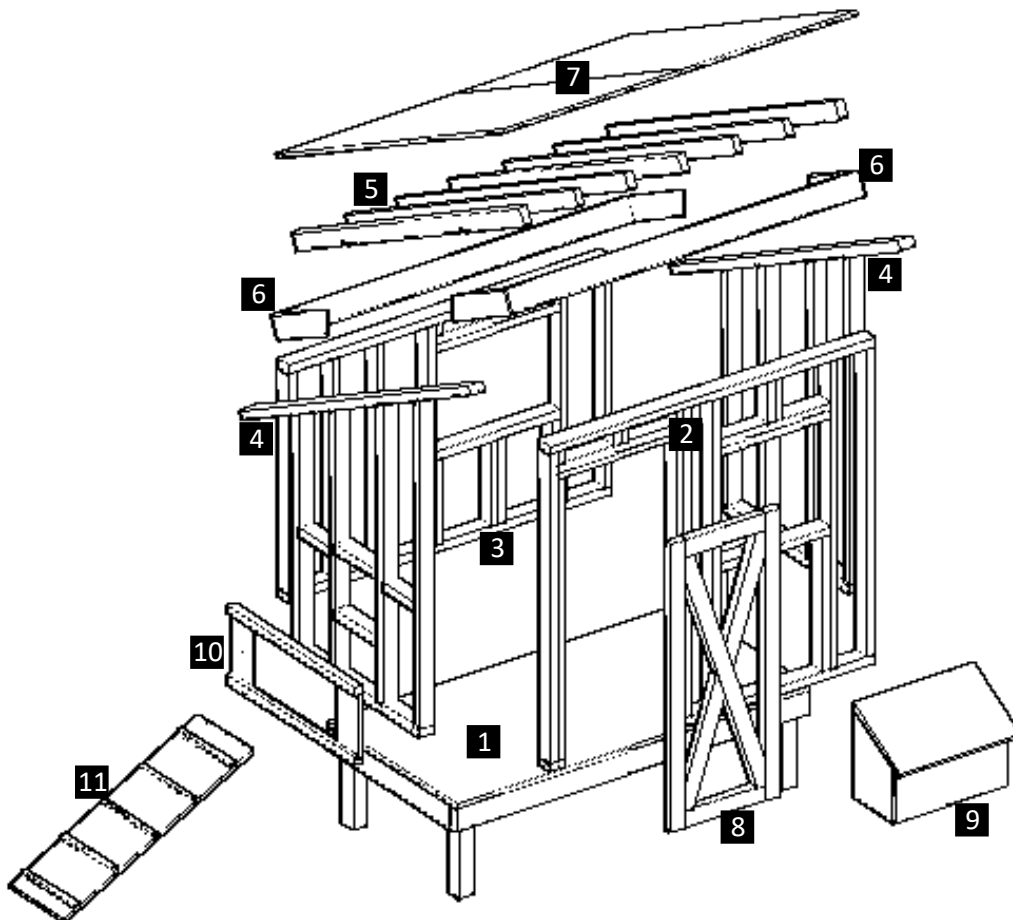
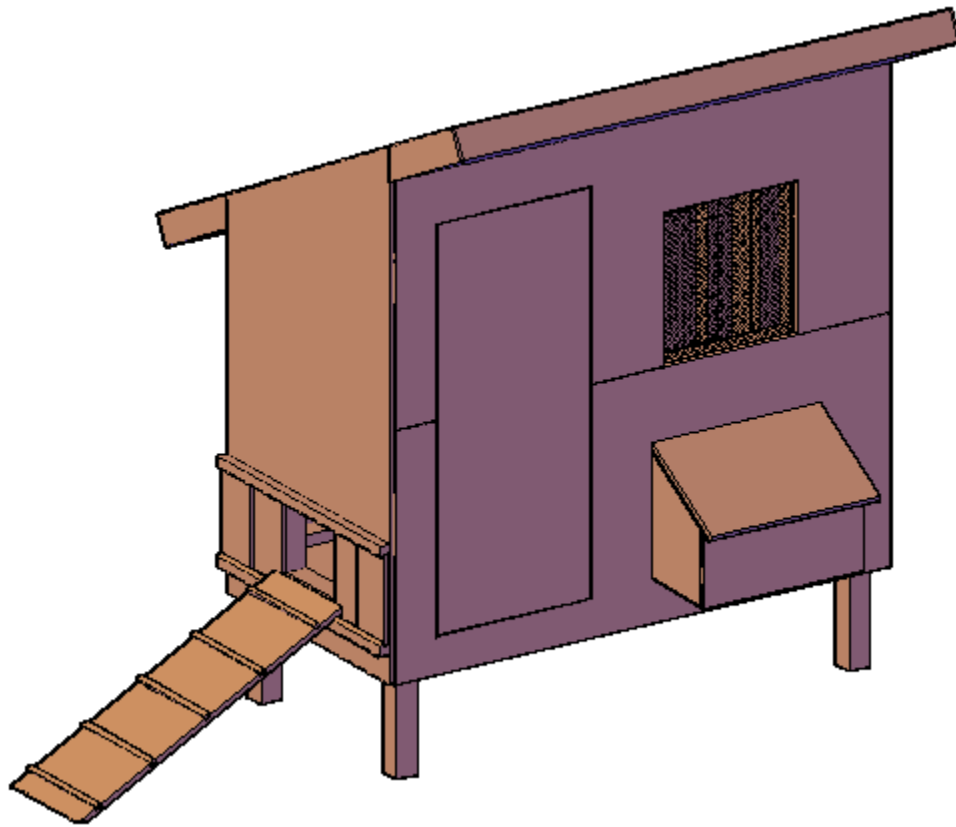
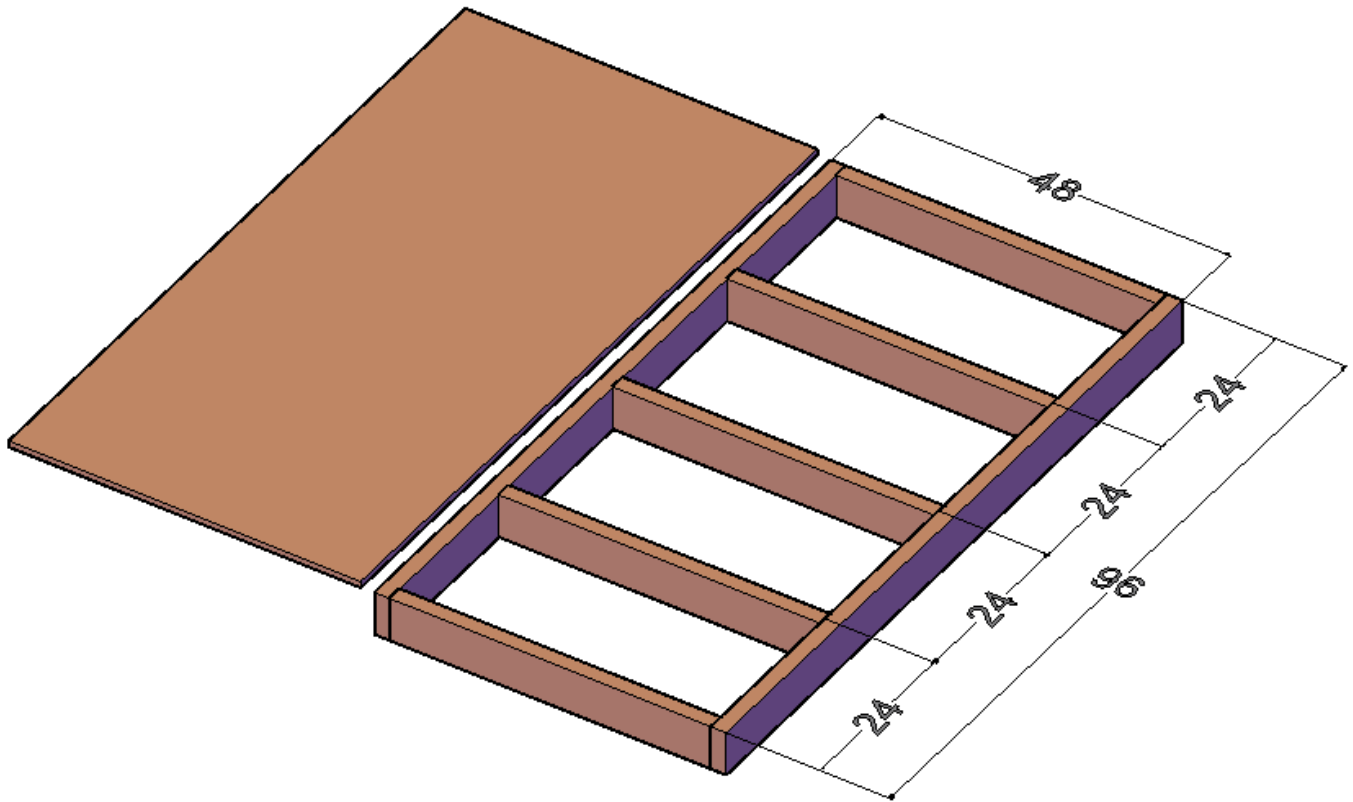


# CHICKEN COOP INSTRUCTIONS

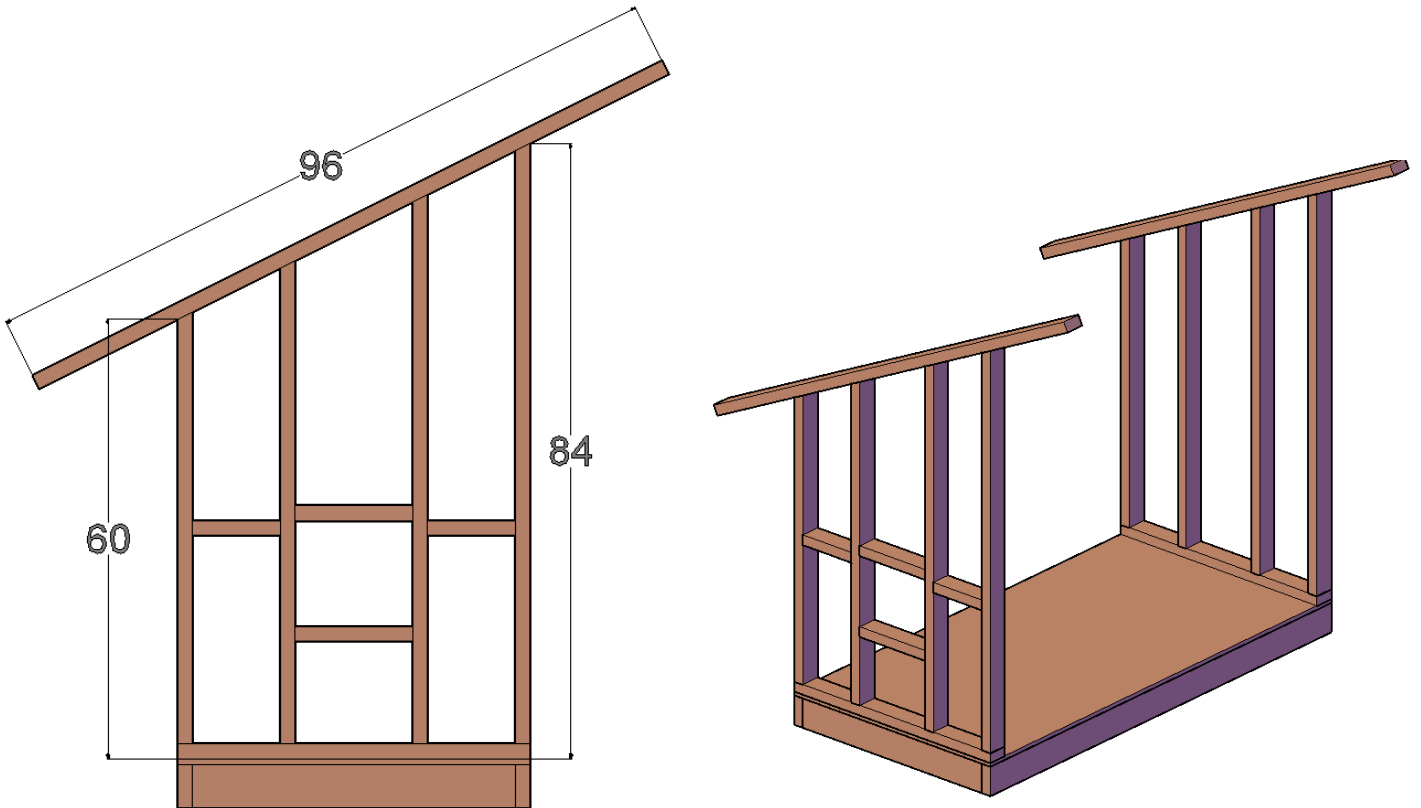


| #  | Name         |
|----|--------------|
| 1  | Floor        |
| 2  | Front Wall   |
| 3  | Rear Wall    |
| 4  | Lateral Wall |
| 5  | Rafters      |
| 6  | Fascias      |
| 7  | Roof         |
| 8  | Door         |
| 9  | Chicken Nest |
| 10 | Chicken Door |
| 11 | Ramp         |

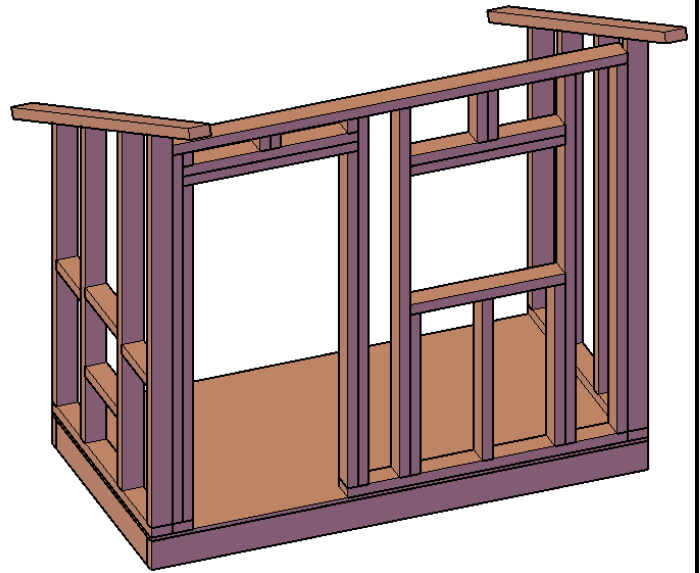
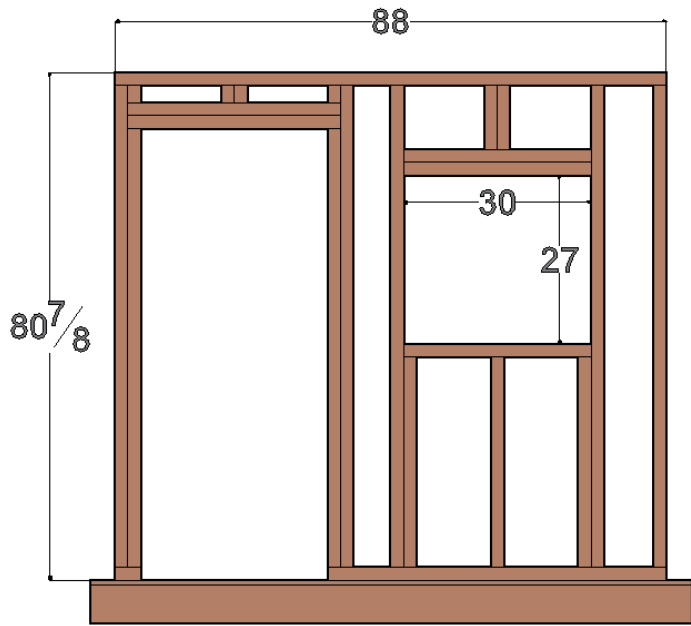
**Step 1:** To build the floor, simply frame up with 2x6s as shown below, 24" on center, using the 3" wood screws or 16d nails.



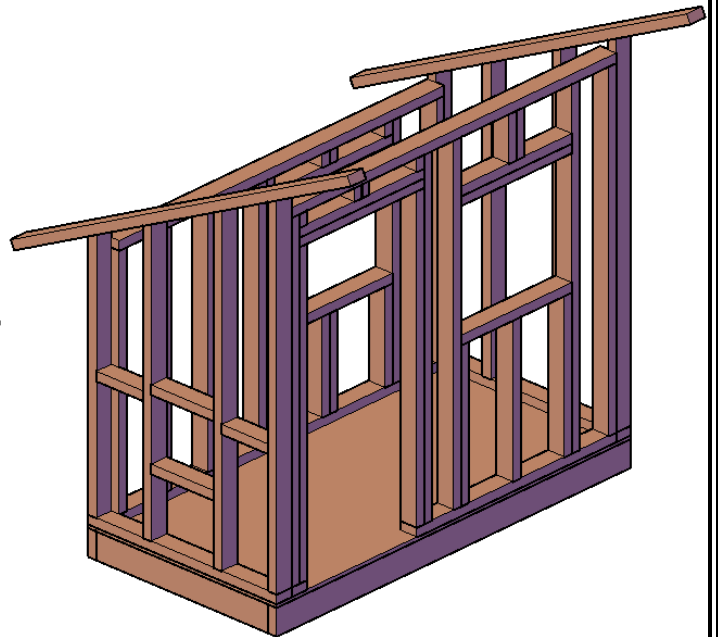
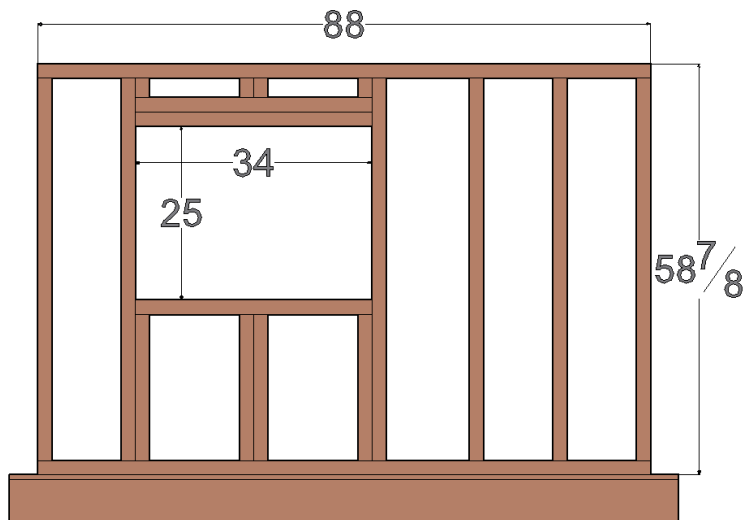
**Step 2:** You will need to frame two side walls. Use 2x4s to build the walls.



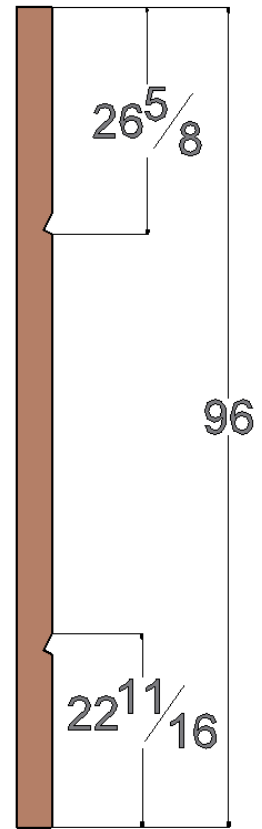
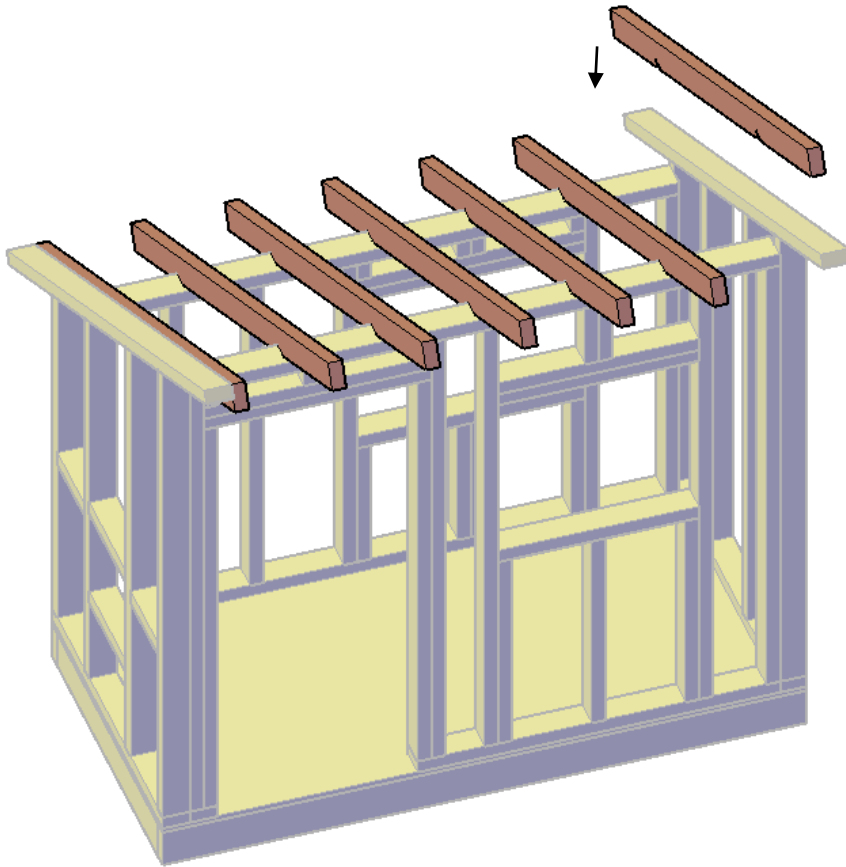
**Step 3:** Use 2x4s to build the walls.



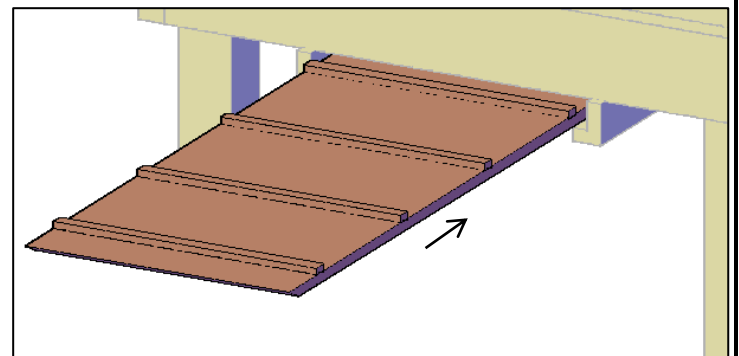
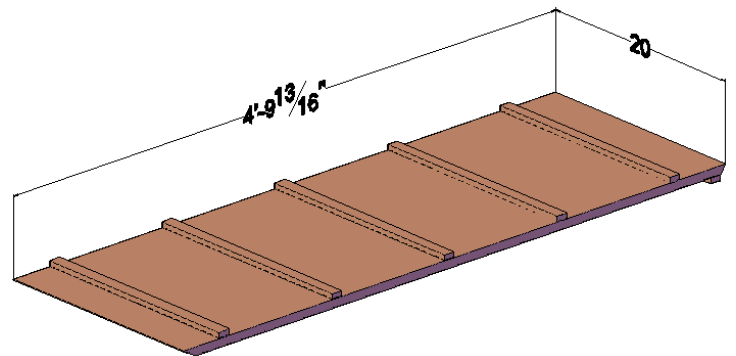
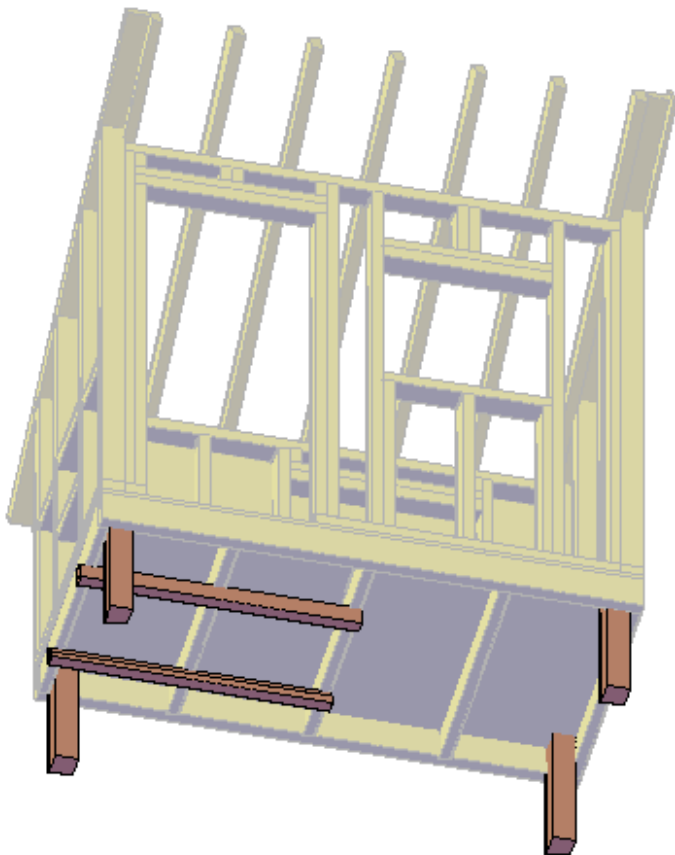
**Step 4:** Use 2x4s to build the walls.



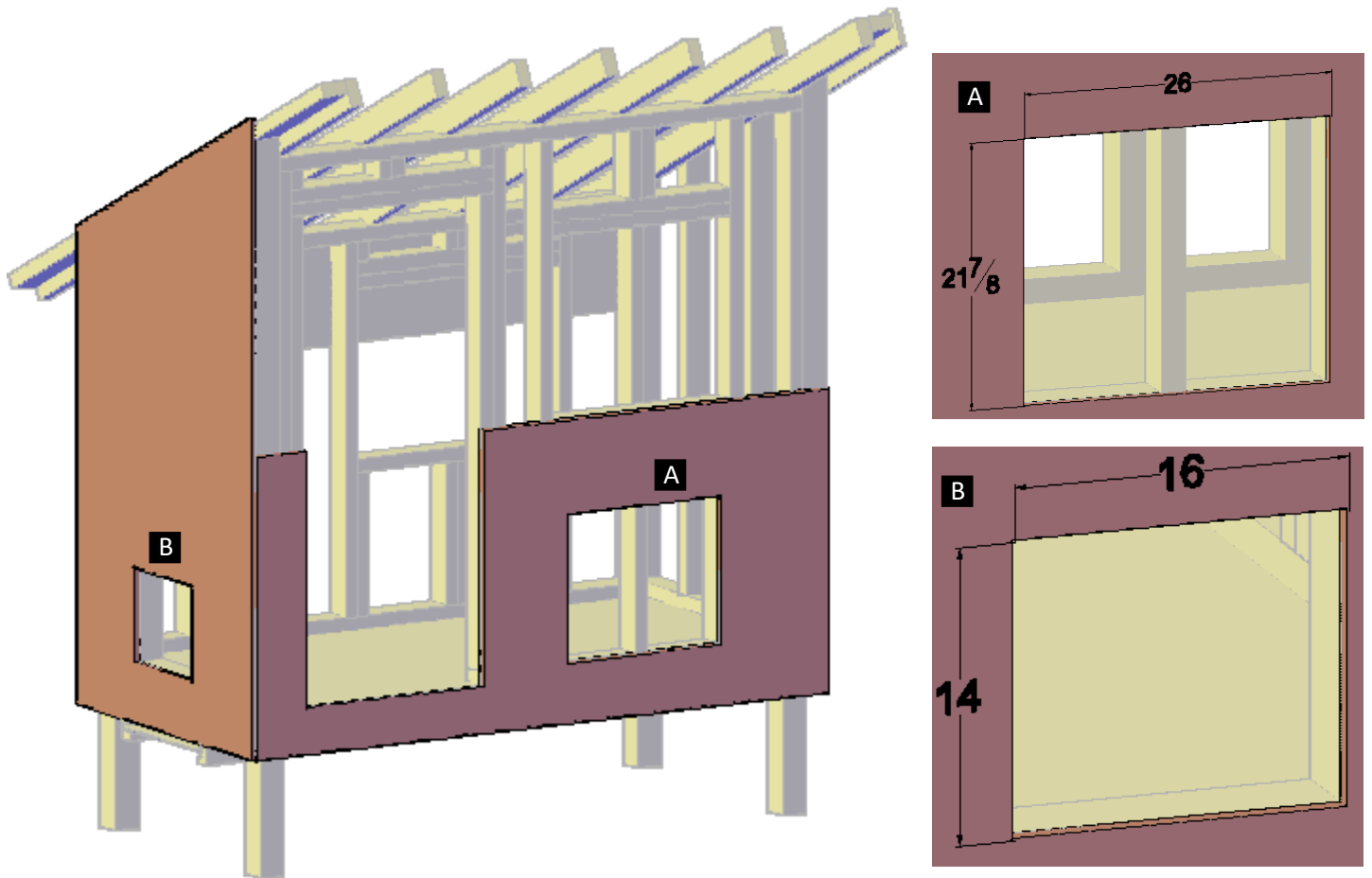
**Step 5:** Use 2x4s for the rafters in the roof.



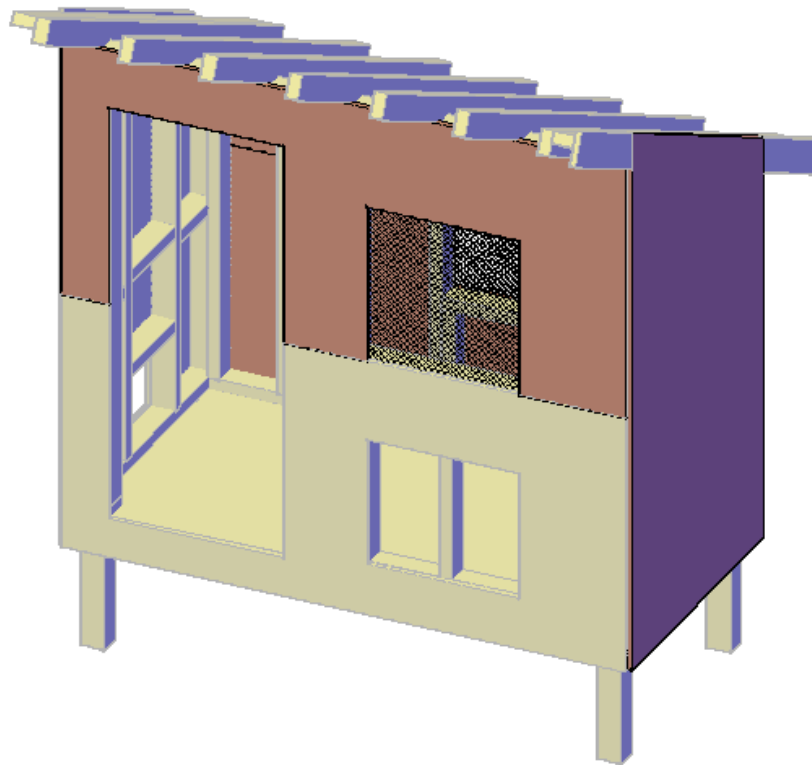
**Step 6:** Place the ramp supports and the posts to the floor.



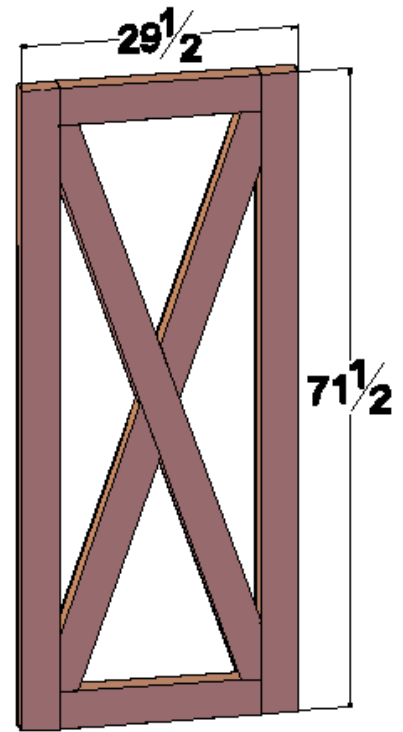
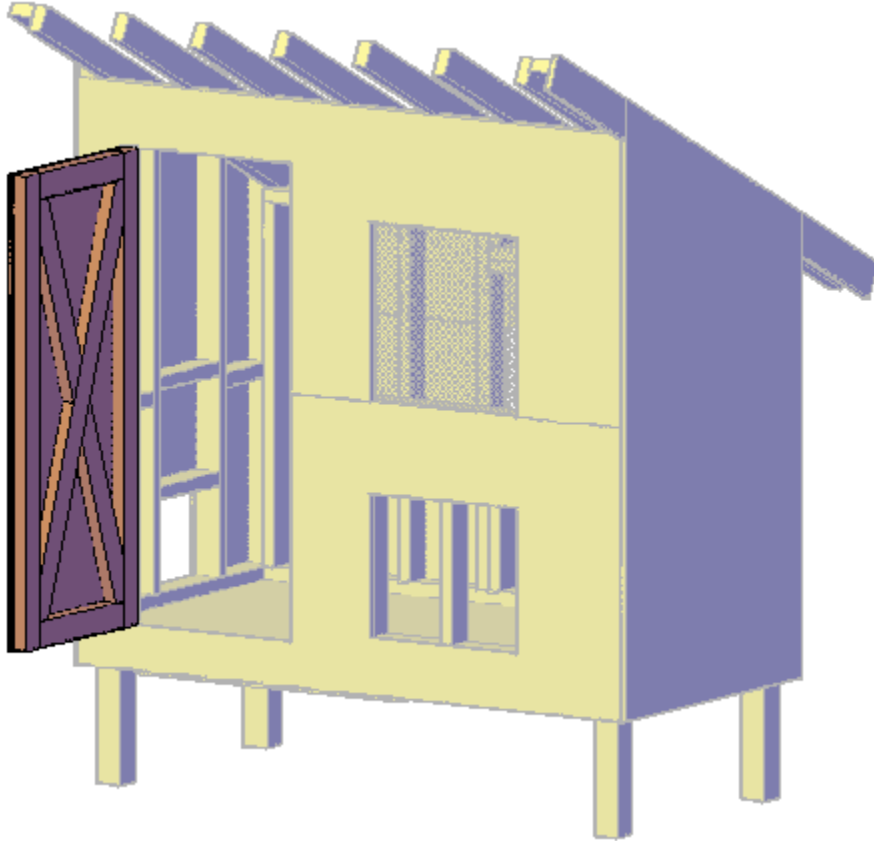
**Step 7:** Place the triplay in the walls



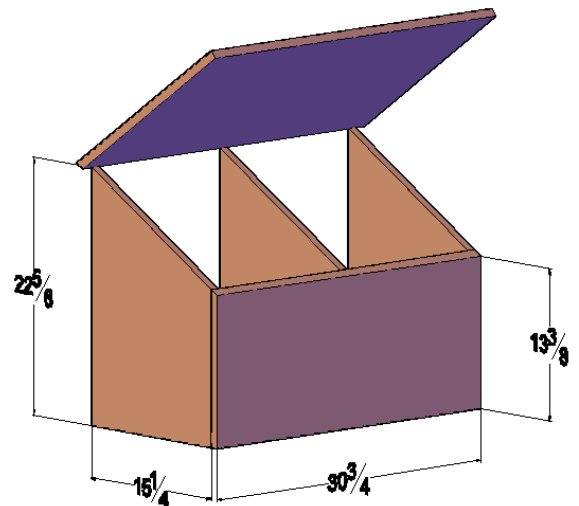
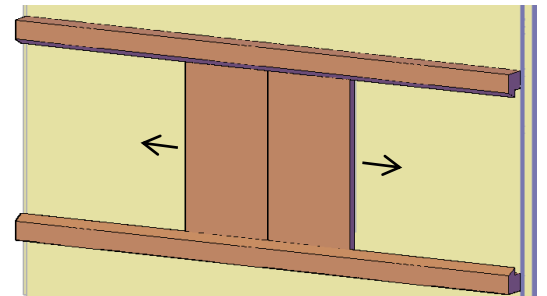
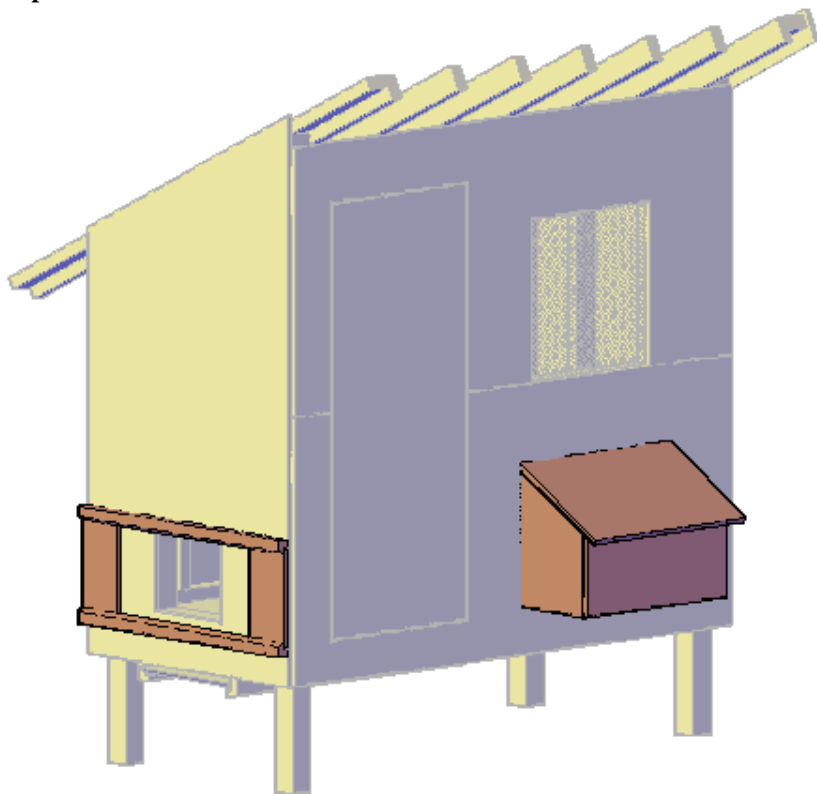
**Step 8:** Place the windows and the rest of the wall triplay



**Step 9:** Place the door in the door frame with hinges.



**Step 10:** Place the nest and chicken door.



**Step 8:** Finally, place the roof and fascias.

